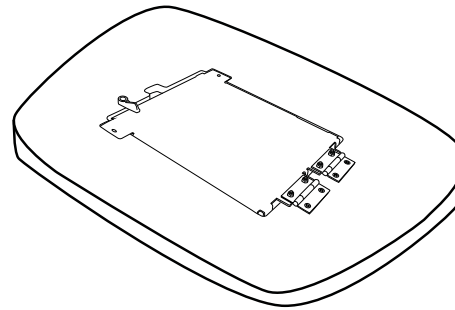
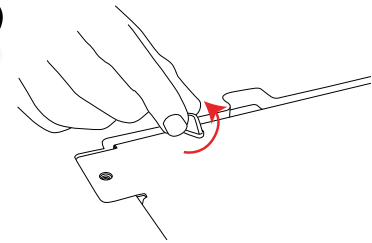
 When inserting an iPad into any unit start with the top upside down.



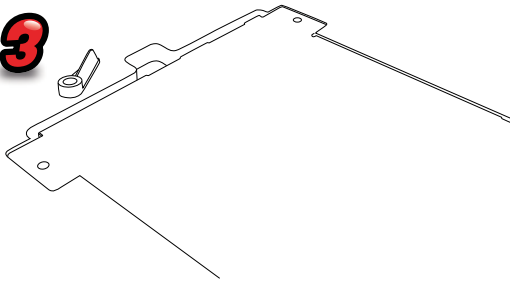
1



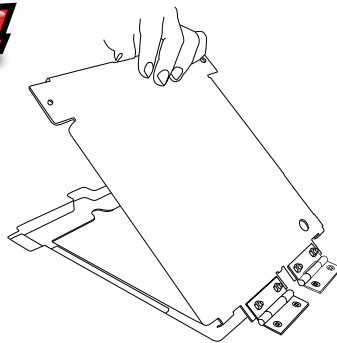
2



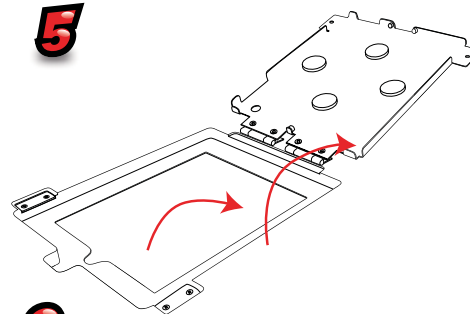
3



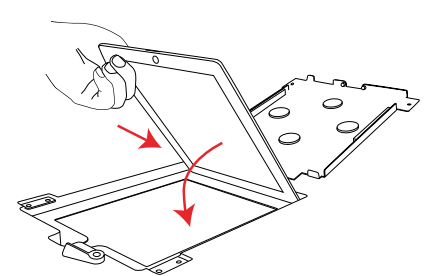
4



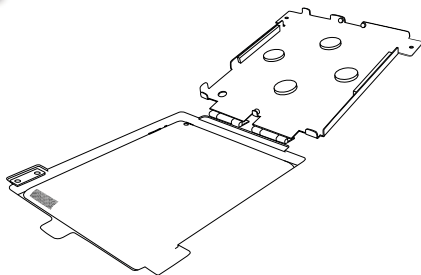
5



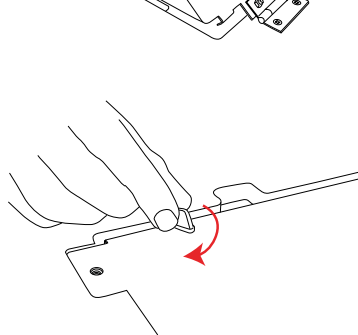
6



7



8



9

