



## ATTACHING THE EXTENSION SECTION



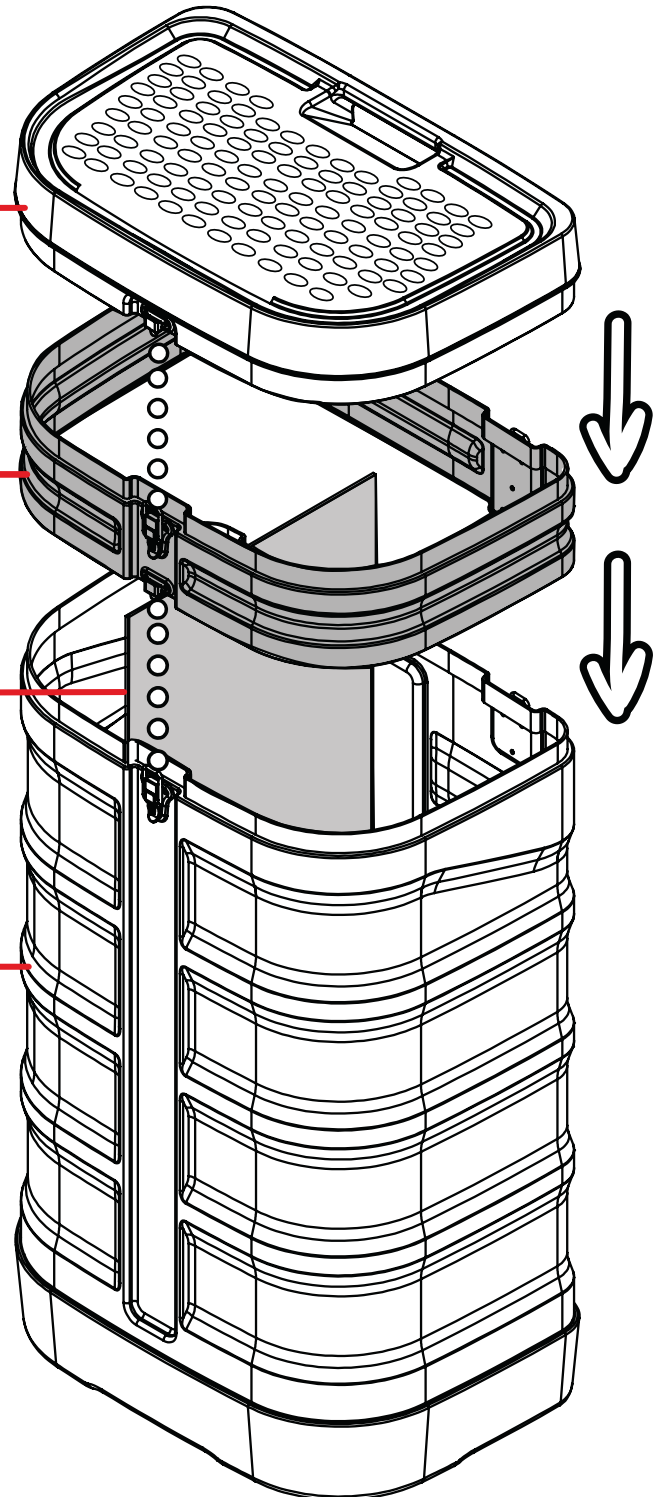
1

**Lid**

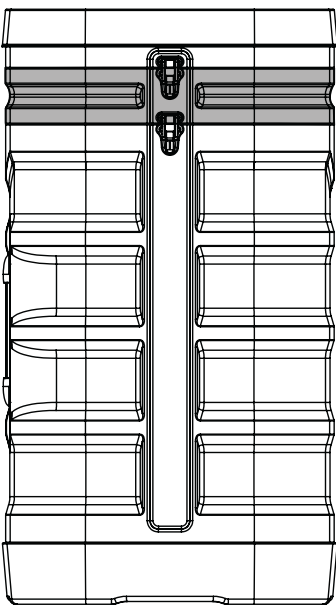
**Extension Section**

**Divider**

**Case**



**PARTS (NOT TO SCALE)**



**BACK OF CASE**

