

## Table Runner with Printed Logo

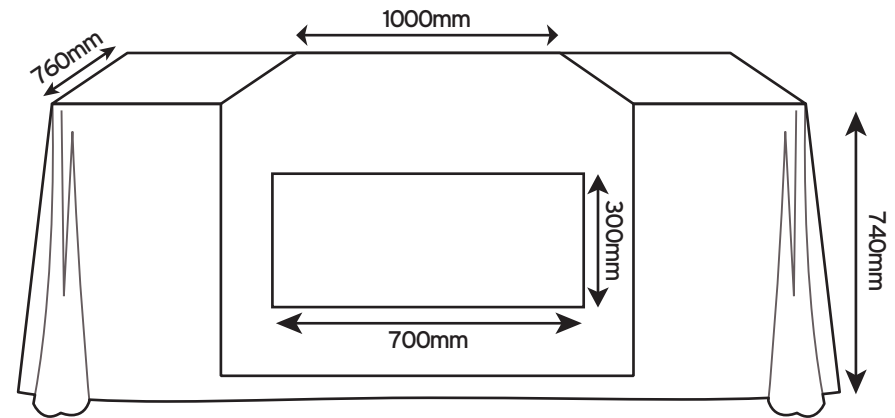
For optimum printing results, your artwork / logo should be submitted in vector format in either EPS or AI.

Ensure that all text has been outlined.

If your artwork / logo is supplied as a JPG or similar, it is likely to be printed onto a white vinyl badge. For more information, please get in touch.

Set up your artwork in CMYK.

Pantone colours accepted.



### ARTWORK GUIDELINES

Cloth size: 1000mm x 2000mm  
Print size: 700mm x 300mm

