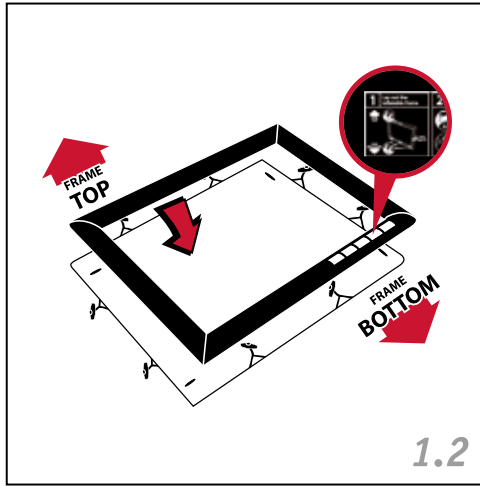
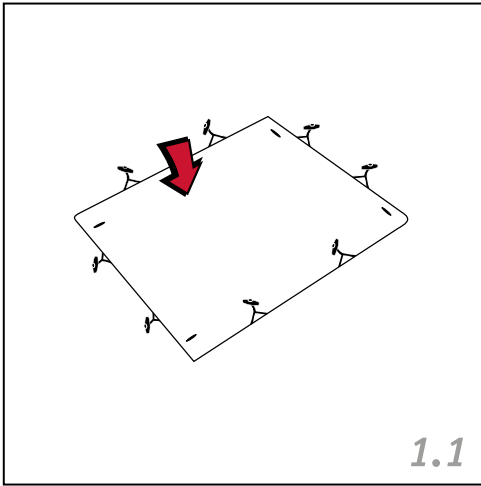


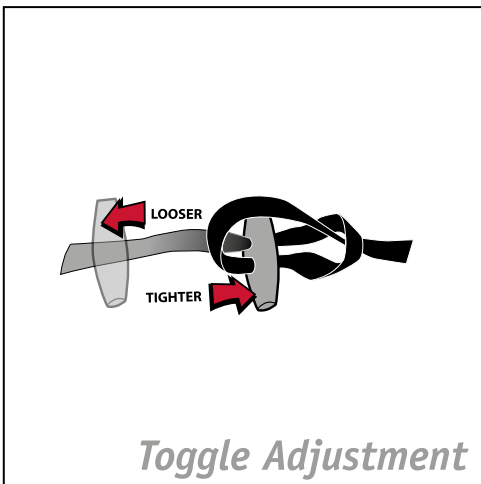
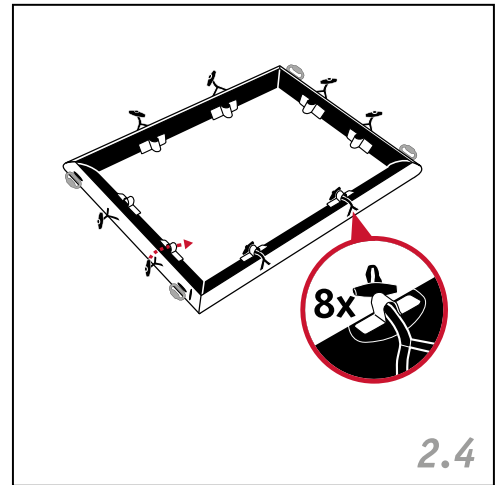
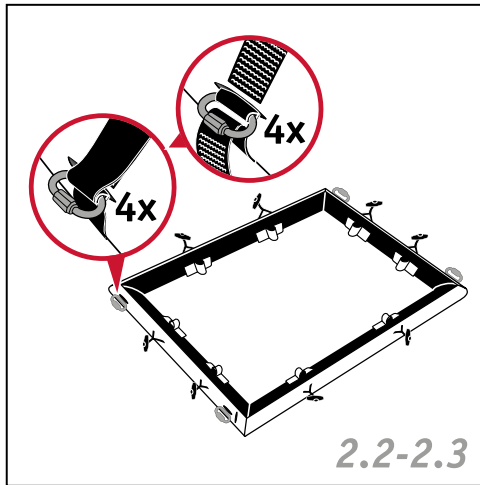
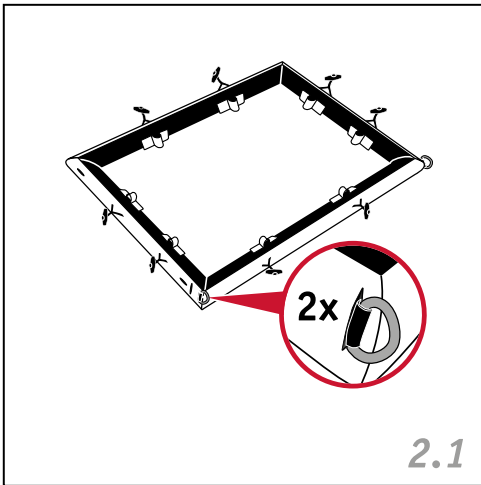
1

Lay out the inflatable frame



2

Attach printed wall to inflatable frame



For more information, visit: www.xldisplays.co.uk Watch our videos here:

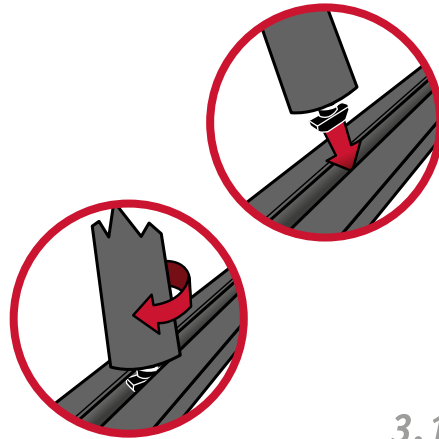


3

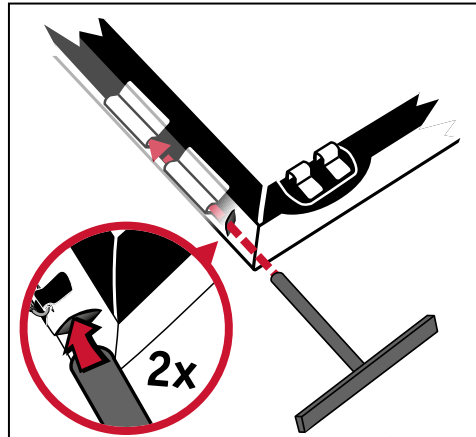
Attach indoor- OR outdoor support



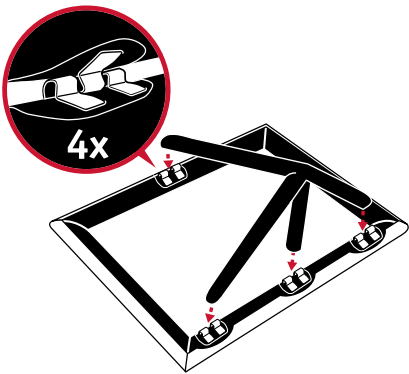
Aluminum Support



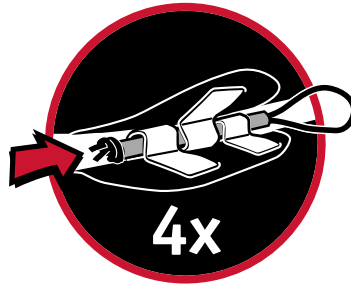
3.1



3.1.1



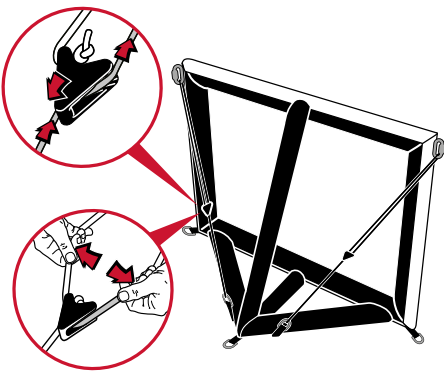
3.2.1



3.2.2



3.2.3



Tension Inflatable Frame



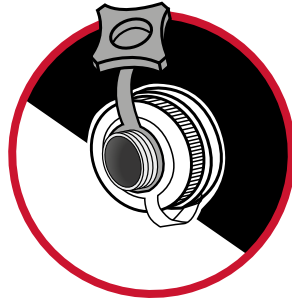
For more information, visit: www.xldisplays.co.uk Watch our videos here:

4

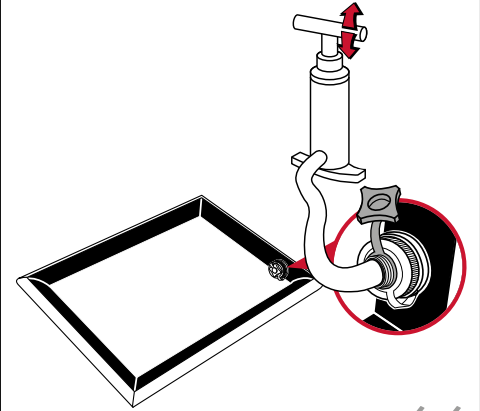
Inflate



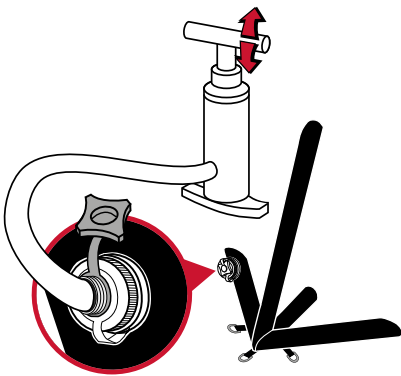
4.1



4.2



4.4



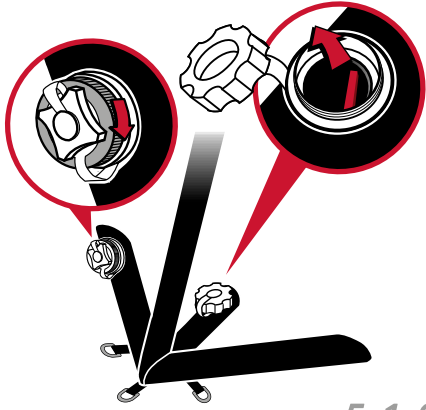
4.6



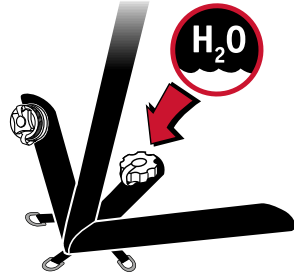
For more information, visit: www.xldisplays.co.uk Watch our videos here:

5

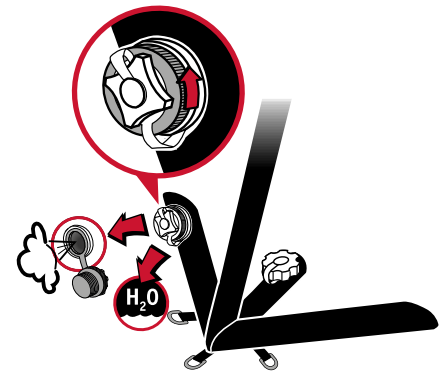
Anchor against strong winds



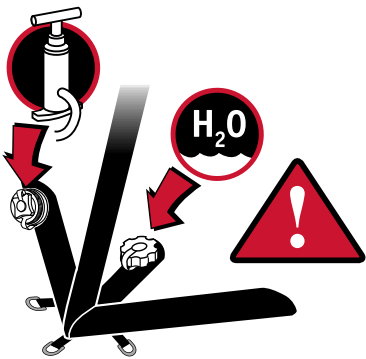
5.1.2



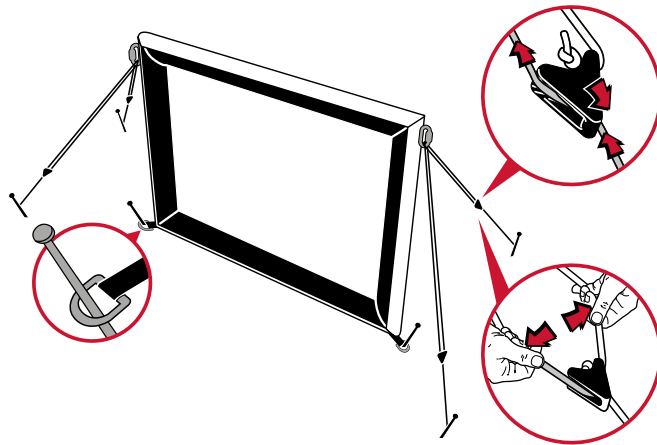
5.1.3



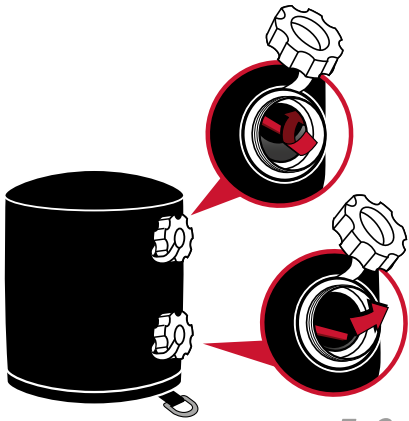
To Empty



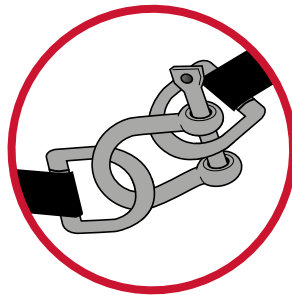
CAUTION



5.2



5.2.1

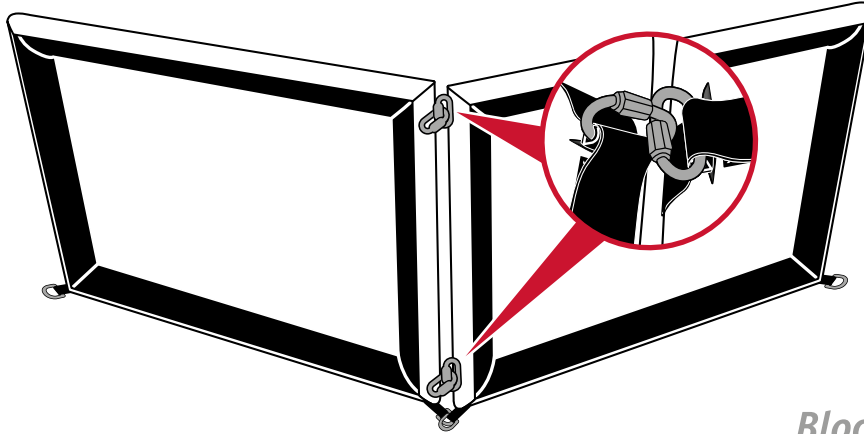


5.2.5

For more information, visit: www.xldisplays.co.uk Watch our videos here:

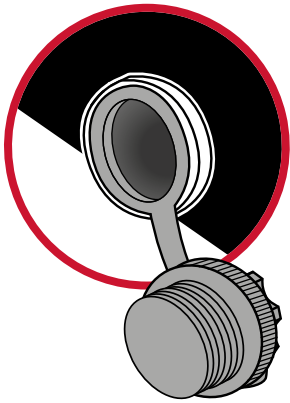


Block-building system

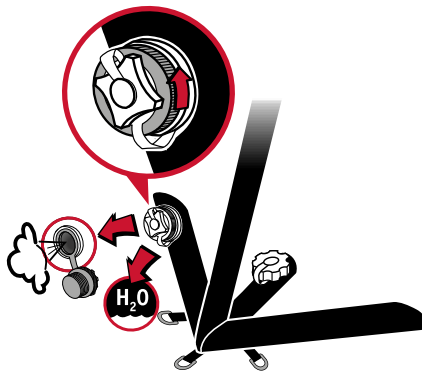


Block-building system

Take down



Step 1



Step 2

For more information, visit: www.xldisplays.co.uk Watch our videos here:

