



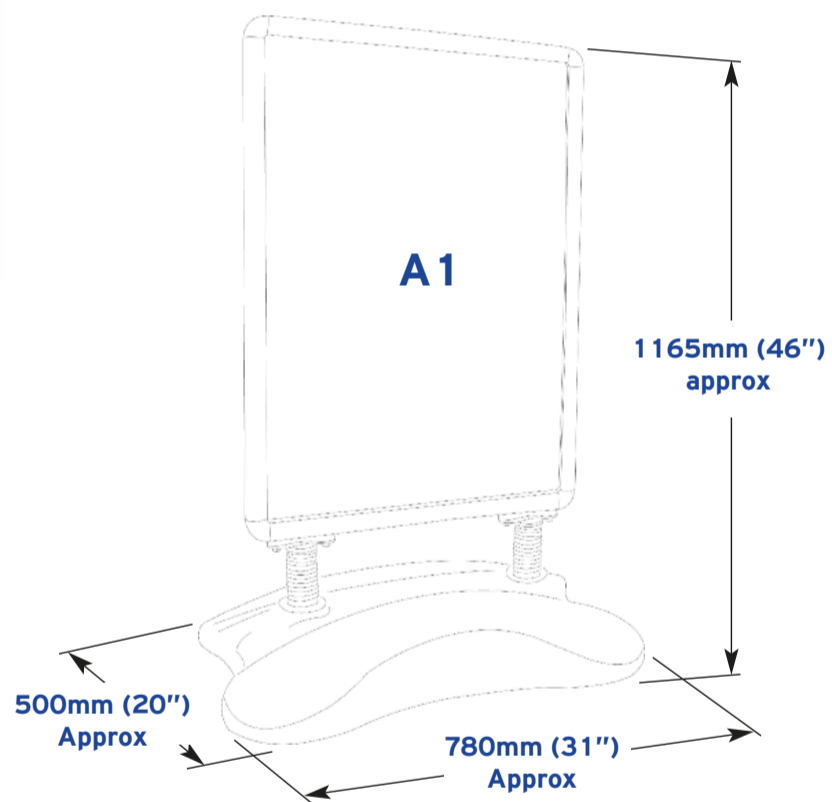
Whirlwind is a heavy-duty double sided swing sign for displaying A1, A0, B1 and B2 size posters. The unit has a wheeled compact moulded base that can be filled with water or sand. The snap frame poster holders make changing your message extremely quick and simple.

### Features & Benefits

- Double sided
- Easy front loading aluminium snap frames
- Suitable for indoor or outdoor use
- Heavy-duty construction
- Wheeled compact moulded base that can be filled with water or sand
- Complete with protective graphics covers



Integral wheels make Whirlwind easy to move.

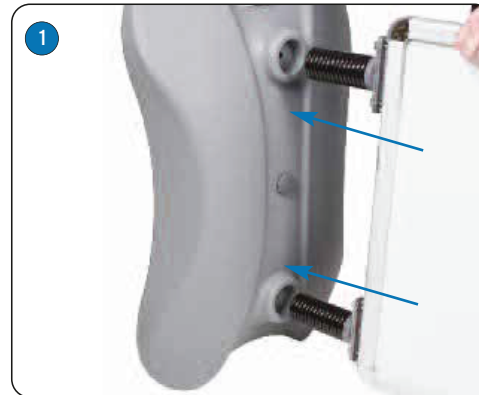


Hardware Specifications	Graphic Specifications	Additional Info
<p><b>Assembled dimensions h/w/d(mm):</b>                      A1 - 1165 x 780 x 500 approx.                      A0 - 1315 x 860 x 500 approx.                      B1 - 1325 x 780 x 500 approx.                      B2 - 1030 x 780 x 500 approx.</p> <p><b>Weight (Base):</b>                      11kg approx when empty &amp; 36kg approx when filled with water. (Capacity 25 litres approx)</p>	<p>Please refer to the graphic template.</p>	<p><b>Availability:</b>                      Aluminium frame with anodised silver finish and grey moulded base.</p> <p><b>Note:</b>                      When moving the unit do not drag the base. Tip the unit onto it's wheels and pull or push to move.</p>

We are continually improving and modifying our product range and reserve the right to vary the specifications without prior notice. All dimensions and weights quoted are approximate and we accept no responsibility for variance. E&OE.



Kit includes: Snap frame, moulded base and 2x bolts.



1 Insert the snap frame springs into the moulded base.



2 Insert bolt and washer through the top of the moulded base.



3 Tighten the bolt to secure the snap frame to the moulded base. Repeat steps 3 and 3 for the second bolt.



4 Open up the snap frame sides.



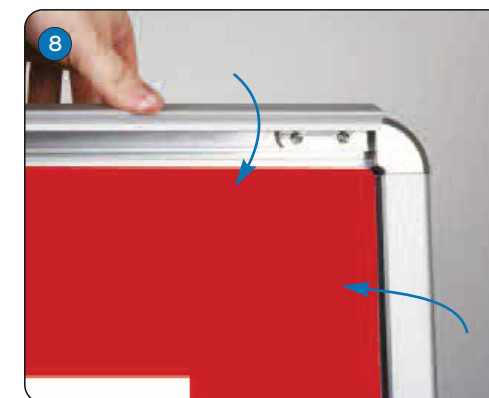
5 Remove the protective cover.



6 Fit the graphic into the snap frame.



7 Fit the protective cover.



8 Close the snap-frame to hold the graphics in place.

**Note: When moving the unit do not drag the base. Tip unit onto it's wheels and pull or push to move**