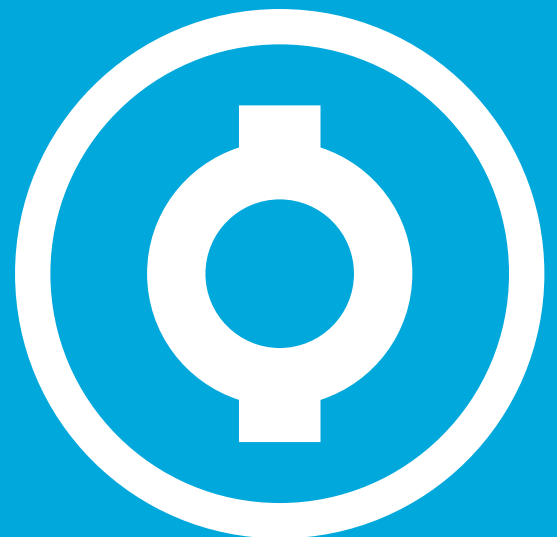
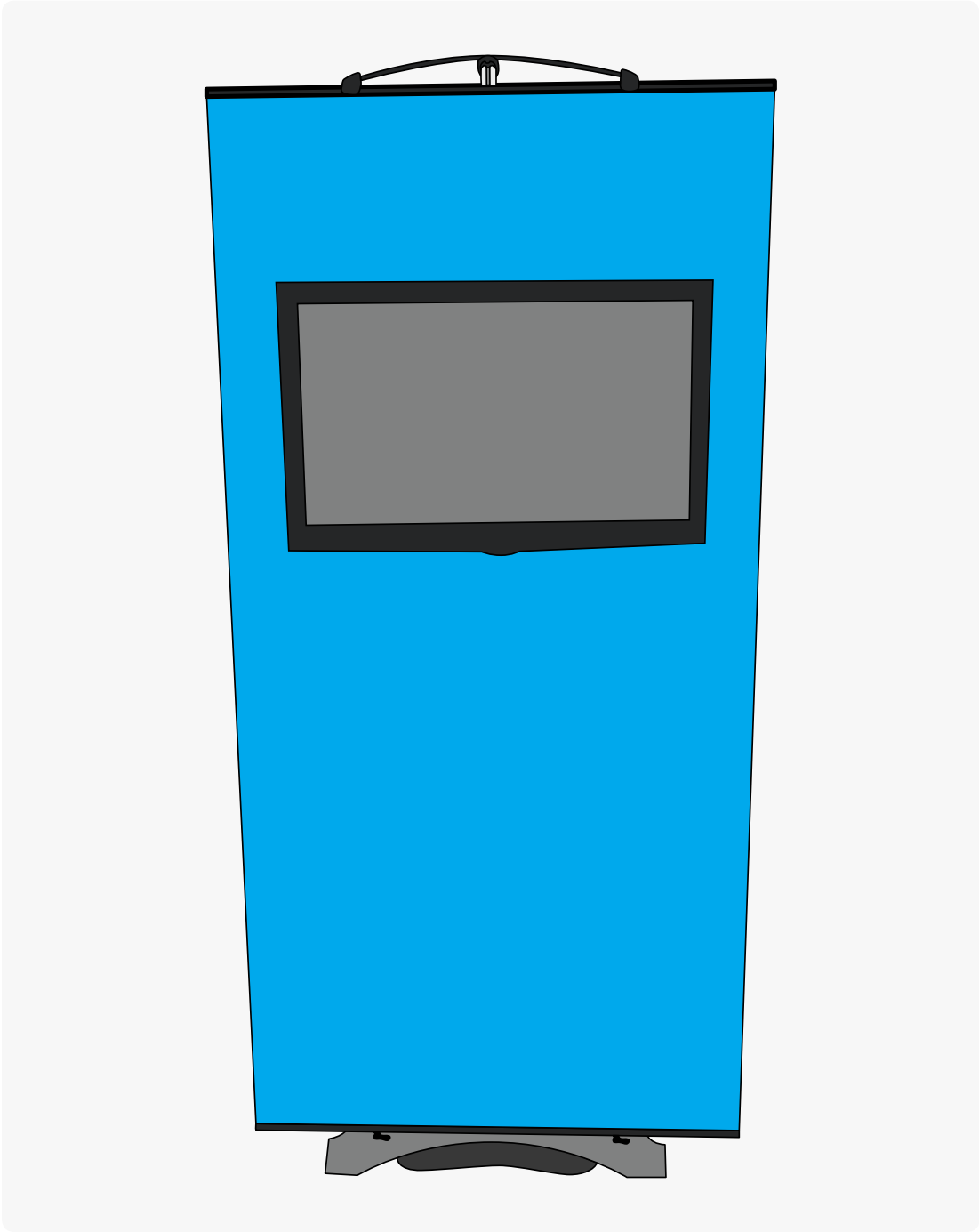


Twist®

# TWIST AV STAND

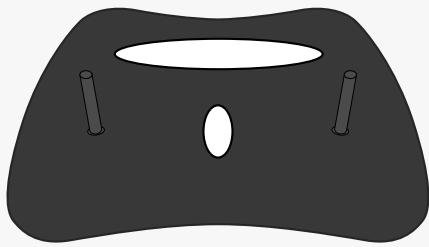
*product set up instructions*





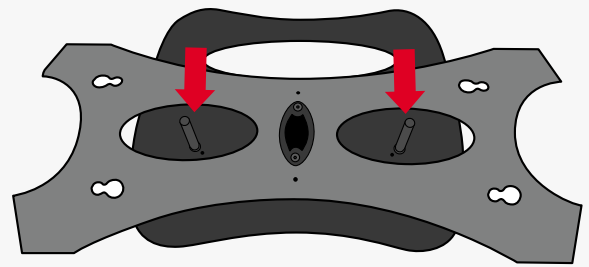
## Twist AV Stand Setup Instructions

1



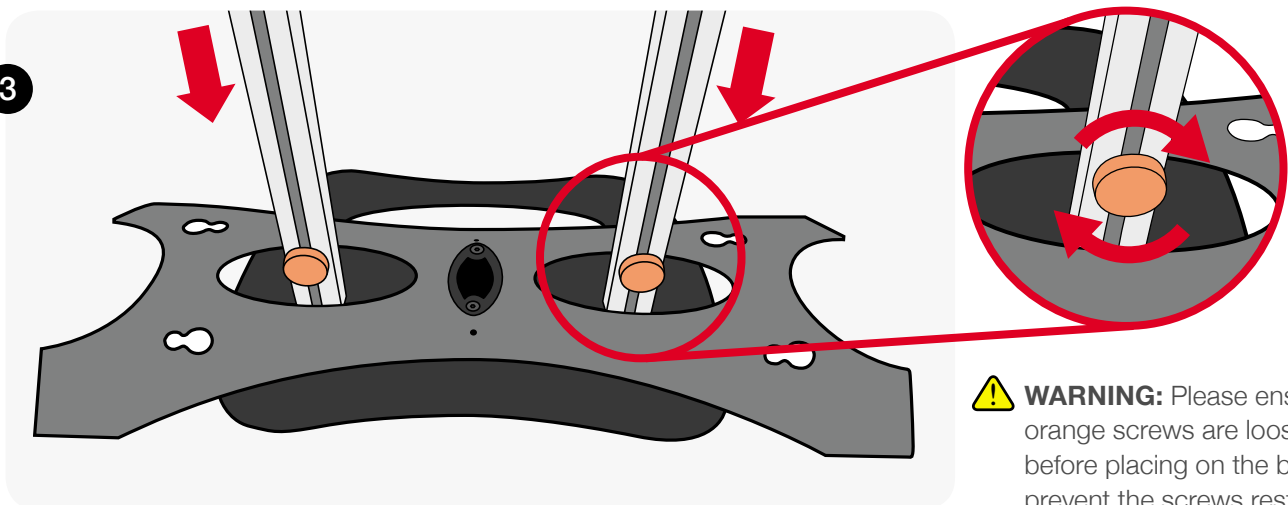
Place the AV base on the floor.

2



Place a TWIST base over the AV base locating uprights and manoeuvre the TWIST base socket into position.

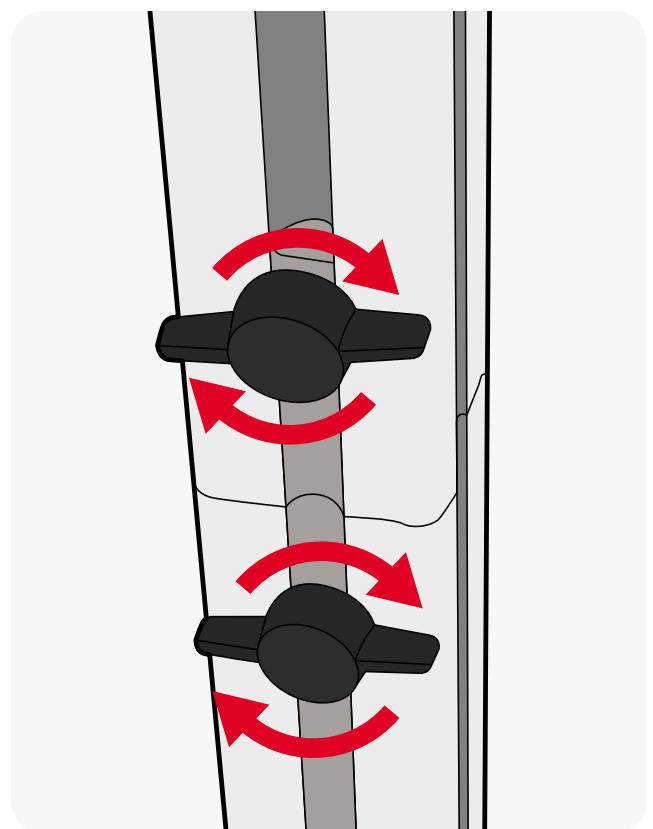
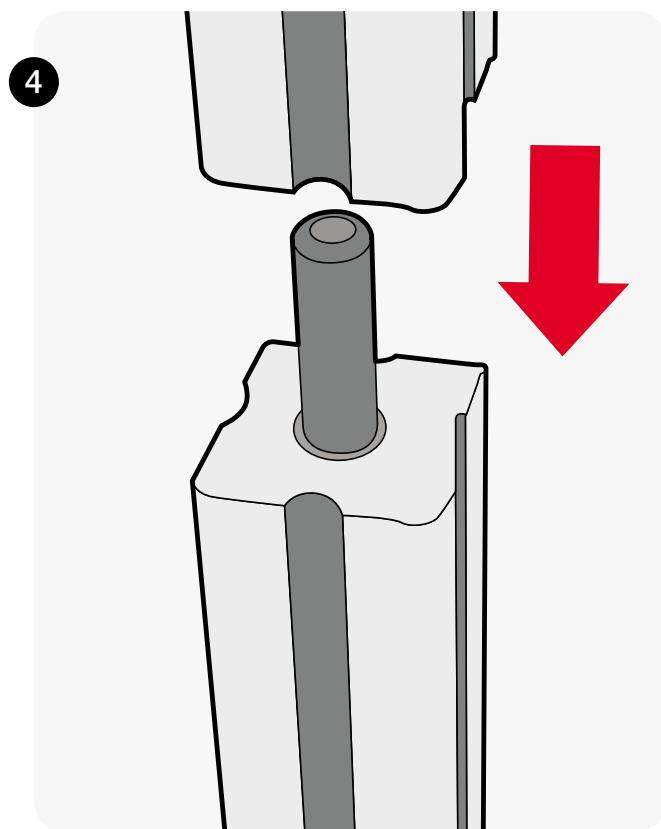
3



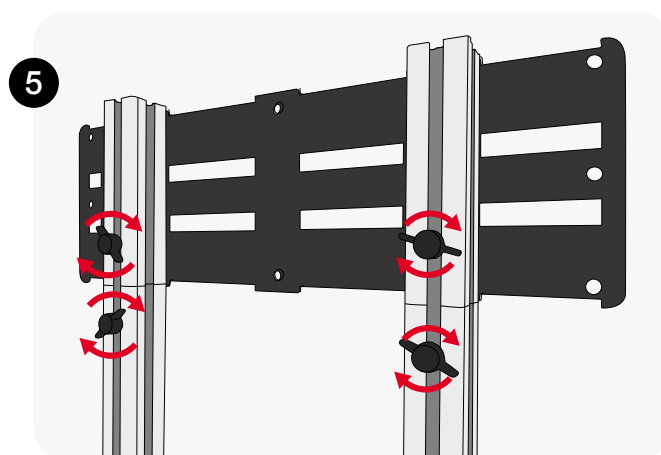
Slide the bottom AV uprights (orange fixing) on to the AV base, and tighten the orange screws.

**WARNING:** Please ensure orange screws are loosened fully before placing on the base, to prevent the screws resting on top of the locating uprights.

## Twist AV Stand Setup Instructions



Place the next section of AV upright onto the locating pin and slide a locking pin between the joint and tighten.



Locate the AV crossbeam into position and tighten the locking pins.



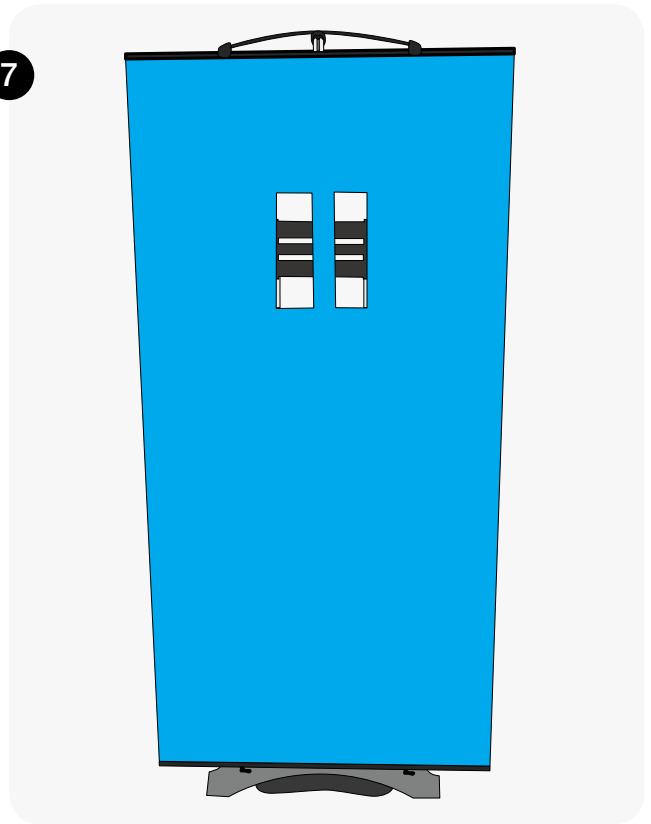
## Twist AV Stand Setup Instructions

6



Continue to build the TWIST stand; making sure that the TWIST upright sits behind the AV crossbeam.

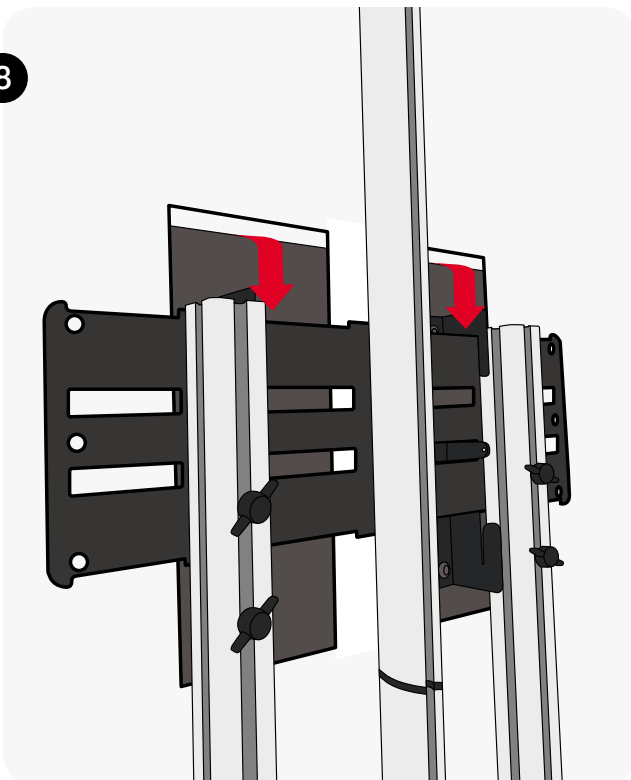
7



Then hang the graphic.

**!** But don't hook the bottom of the graphic until the screen has been positioned on the AV Stand.

8

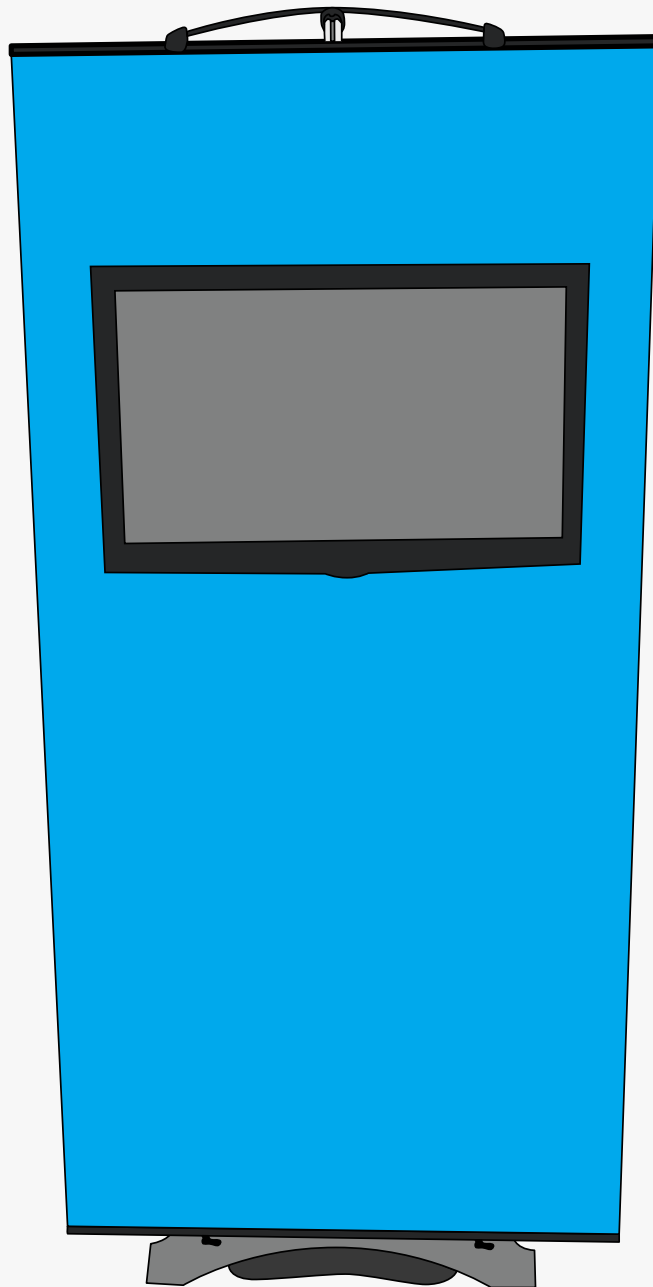


Once you have attached the brackets provided to the TV/Monitor screen, manoeuvre the screen into position so that the two brackets sit on top of the crossbeam. Once the screen is in position, further alterations can be made for cables if required. Then hook the graphic to the base.

**!** **WARNING:** Please check the TV vesa mounting holes for compatibility.

Vesa mounting holes: **AV 200:**  
 100mm x 100mm  
 200mm x 200mm  
**AV 400:**  
 400mm x 200mm  
 400mm x 400mm

9



The AV stand complete.