

## Dimensions & Weights

**WEIGHTS** .....Kg

Top ..... 0.80

Joining Component ..... 1.88

Bottom ..... 0.80

Body Panel ..... 3.52

Bag ..... 1.06

**PACKING**

**One Unit**

Individual Reusable Carton ..... 2.48

**External Measurements**

1075mm x 940mm x 70mm

**Tower, Two Units High**

Individual Reusable Carton ..... 2.52

**External Measurements**

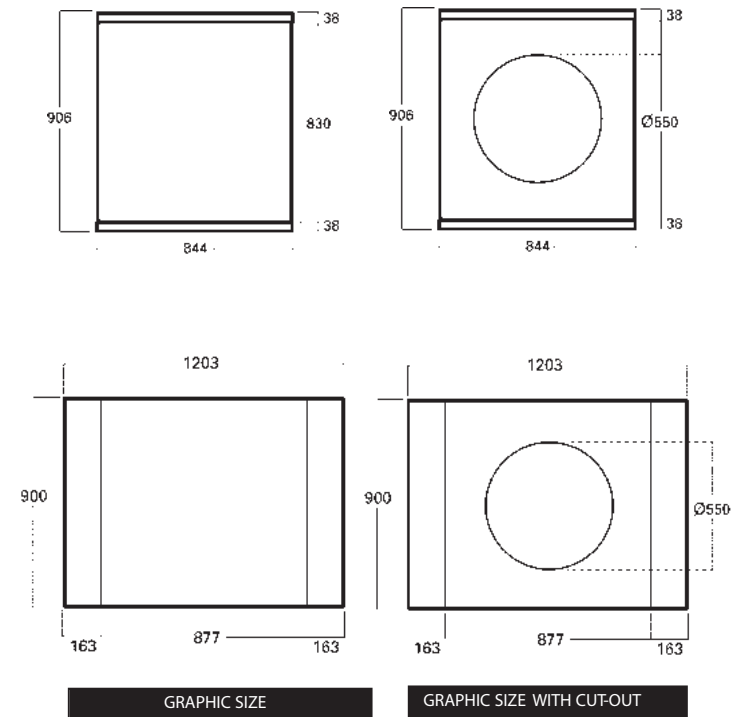
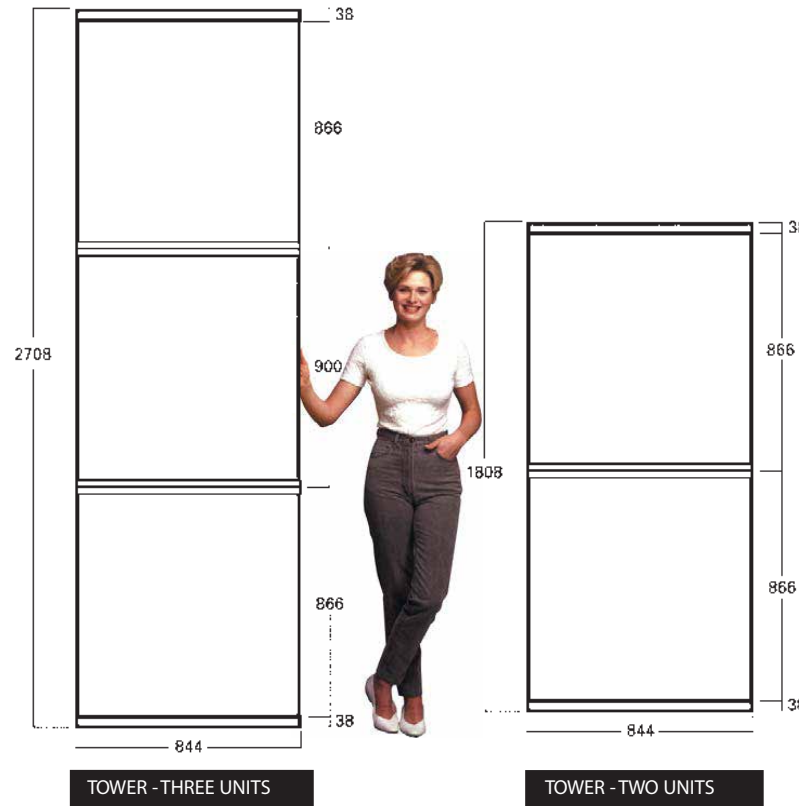
1075mm x 940mm x 110mm

**Tower, Three Units High**

Two cartons, one of each size

Bulk packaging, dimensions and weight dependent on number of units required.

Weights and measurements quoted are approximate.



ALLOW 35mm FOR TOP AND BOTTOM