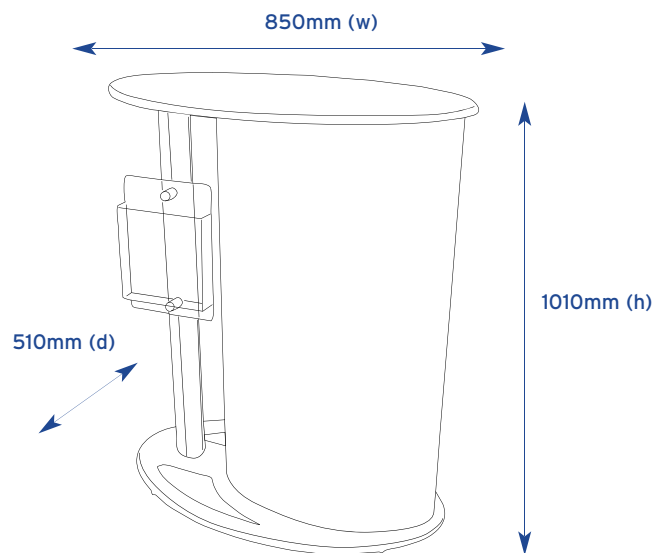


Saturn is a stylish workstation or greeting counter constructed from MDF with high quality finish thermoformed laminated tops.

**features & benefits**

- Acrylic literature holder included
- Constructed from composite materials and flexible MDF tambour
- Flat packed, easy to transport and quick to assemble
- Allen keys supplied
- Load bearing up to 75kgs
- Tops are available in Birch, Black or Silver thermoformed finishes
- Choice of 12 Luxury Foam Backed Loop Nylon fabric wrap colours



hardware specifications	wrap specifications
<p><b>Overall size (h) x (w) x (d):</b> 1010mm x 850mm x 510mm</p> <p><b>Weight:</b> 11kg</p>	<p><b>Tambour Wrap dimensions (h) x (w):</b> 970mm x 1370mm</p> <p>If applying a graphic to the wrap, an allowance should be made to its size to accommodate material type, thickness etc.</p>

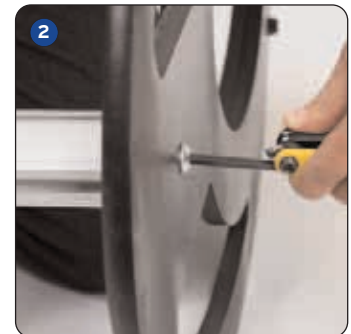
**Saturn assembly**



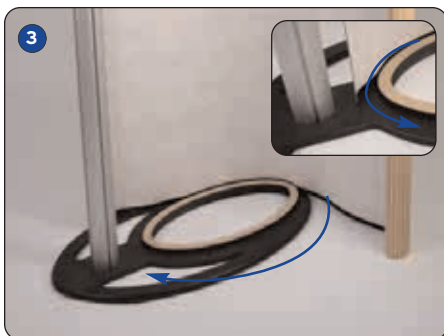
Kit includes: Top, base, wrap, Linear post, acrylic literature holder stand-offs, screws, allen key



Take the base and insert a screw through the underside, through the hole, feeding it into the bottom of the Linear post.



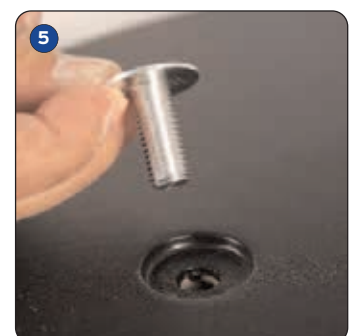
Screw into position securely



Take the wrap and attach to the hook and loop strip on the base.



Lower the top into the wrap and secure against the hook and loop strip.



Once top is in place, secure to the Linear post by inserting the 2nd screw through the hole into the post, and fastening in securely



To fasten the literature holder insert screw in one stand-off Remove the stand off top.



Place a washer either side of the literature holder and then secure into place with stand-off top (screw in).



Repeat steps 6 and 7 with the 2nd stand-off for the bottom of the literature holder

