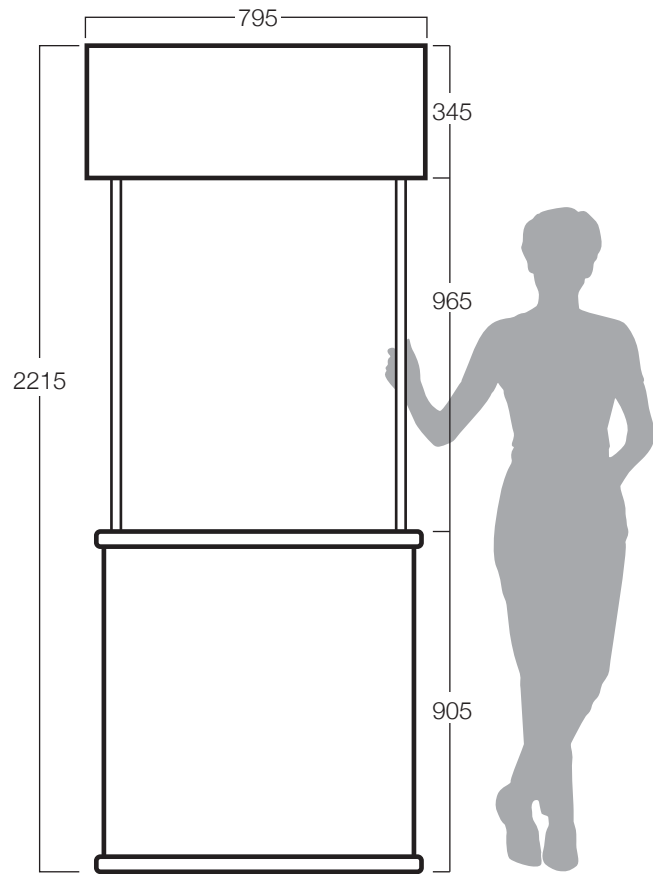
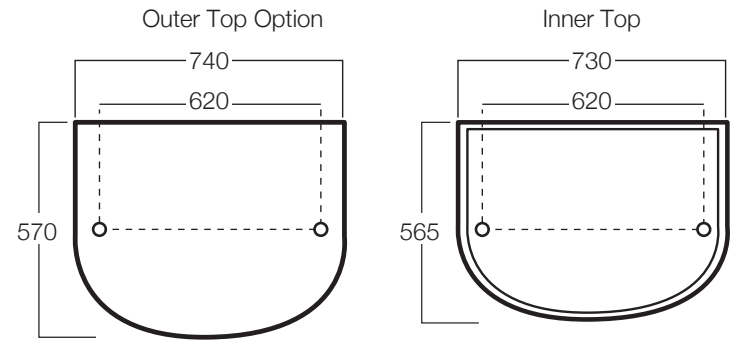


Weights in Kg

Outer Flat Top.....	1.10
Inner Top	1.06
Shelf.....	0.86
Bottom.....	1.06
Body Panel.....	4.45
Bag	1.04
Graphic Tube and Bag	0.65
Pole Set (four pieces) R	1.80
Header	0.73
Header with Graphic Rails	0.85

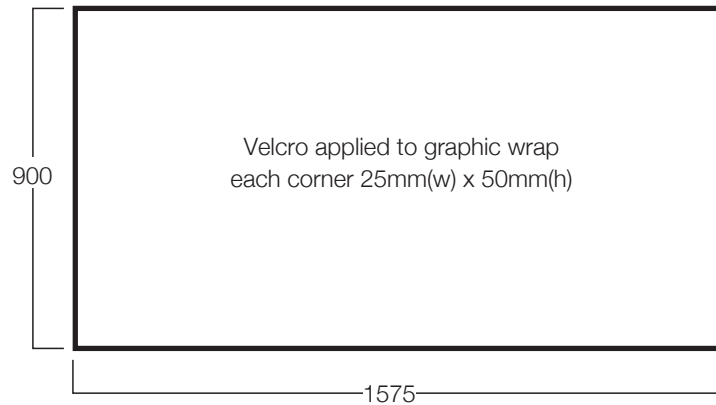
Packaging in Kg

Individual reusable carton1.30
External size: 972(w) x 730(d) x 172mm(h)



Graphic Wrap

Allow 15mm for top to cover graphic



Header Wrap Option with Graphic Rails

