

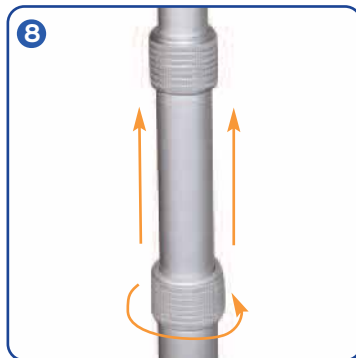
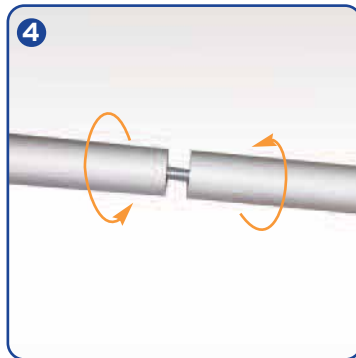
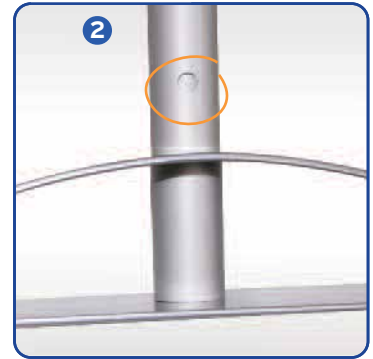
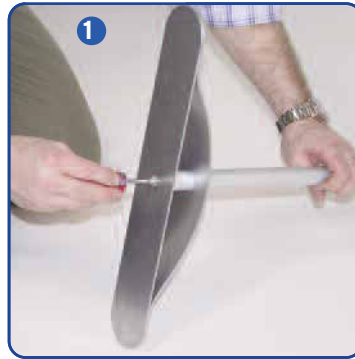


Pegasus is the largest format tension banner in the range, ideal for any exhibition environment.

Features & Benefits

- Telescopic pole with adjustable height and width
- Breaks down easily for transportation
- Lightweight components
- Cost effective
- Silver powdercoated finish

Hardware Specifications		Graphic Specifications	Additional Info
Assembled dimensions (mm)		Total Visual Graphic Area: 1500 (w) x 2000 (h) mm	Substrate: Ideal for fabric graphics
	Min. Max.	Total Visual Graphic Area: 1900 (w) x 2000 (h) mm	Availability: Silver powdercoated, complete with carry bag
Width	1429mm 2540mm	Total Visual Graphic Area: 2000 (w) x 2000 (h) mm	Horizontal poles are 19mm (0.75") approx in diameter
Height	1000mm 2515mm	Total Visual Graphic Area: 2000 (w) x 2410 (h) mm	Shipping Weight: 6.8kg/15lbs. approx. including bag
Depth	442mm 442mm	Total Visual Graphic Area: 2400 (w) x 1900 (h) mm	
		Total Visual Graphic Area: 2400 (w) x 2400 (h) mm	
		Total Visual Graphic Area: 2410 (w) x 2435 (h) mm	
		Add 70mm top and bottom for loop	



Please note: To ensure your fabric banner is tensioned you can height adjust the pegasus frame from 1000mm - 2515mm. This should prevent any sagging.