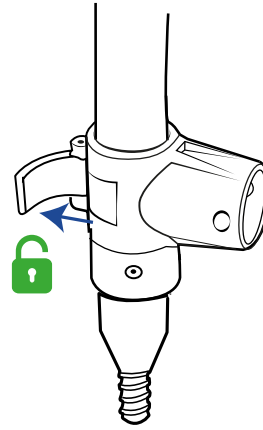
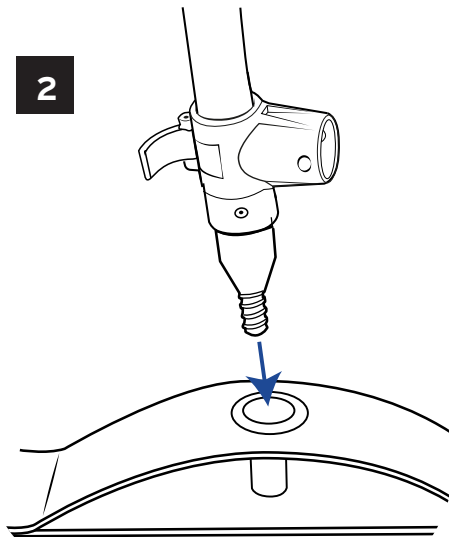




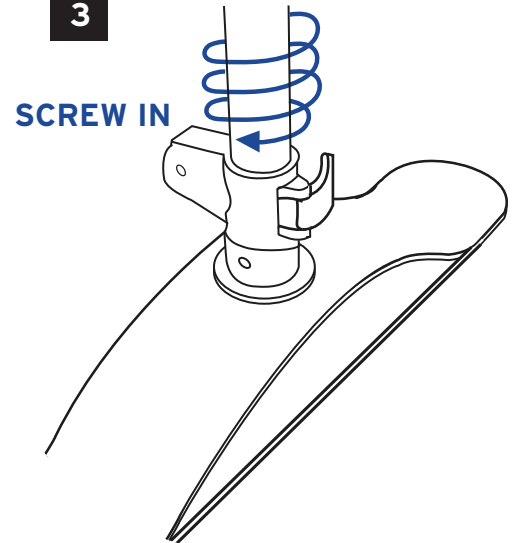
1



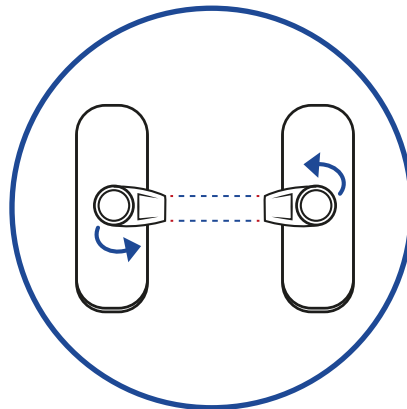
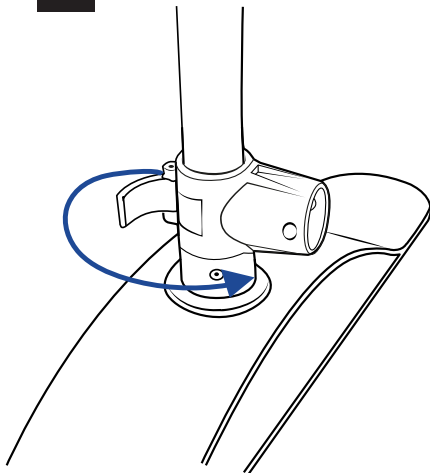
2



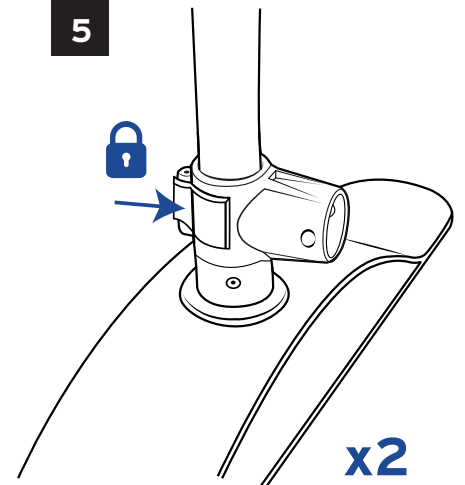
3



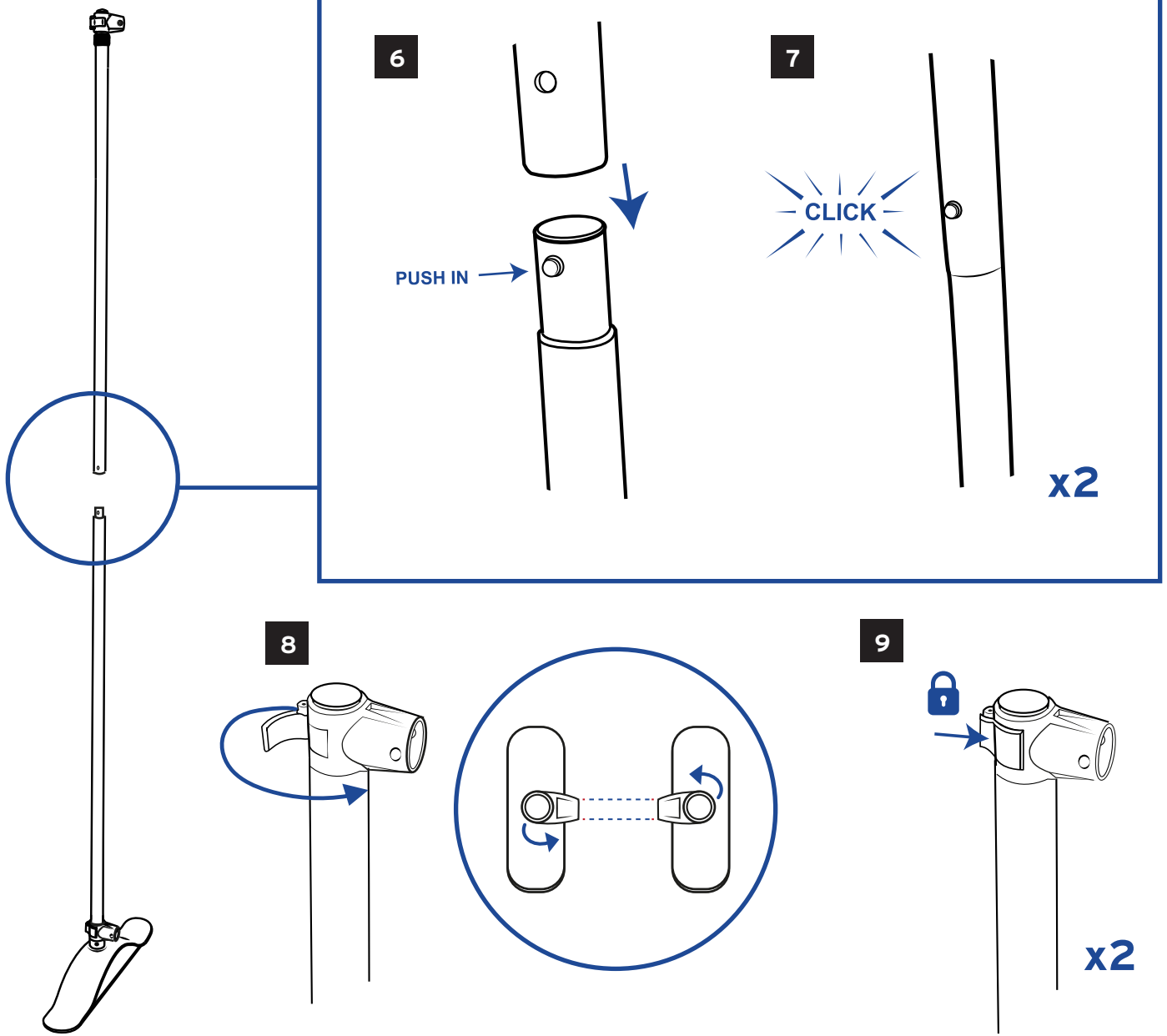
4



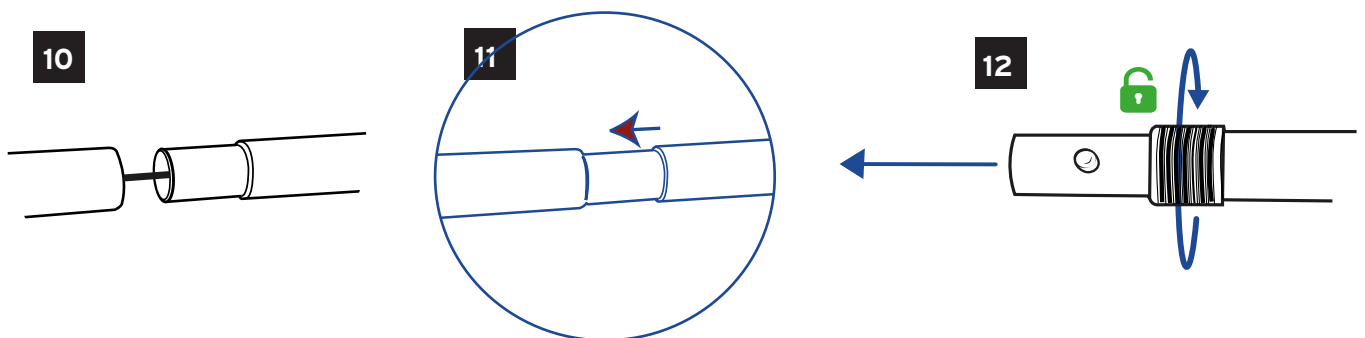
5



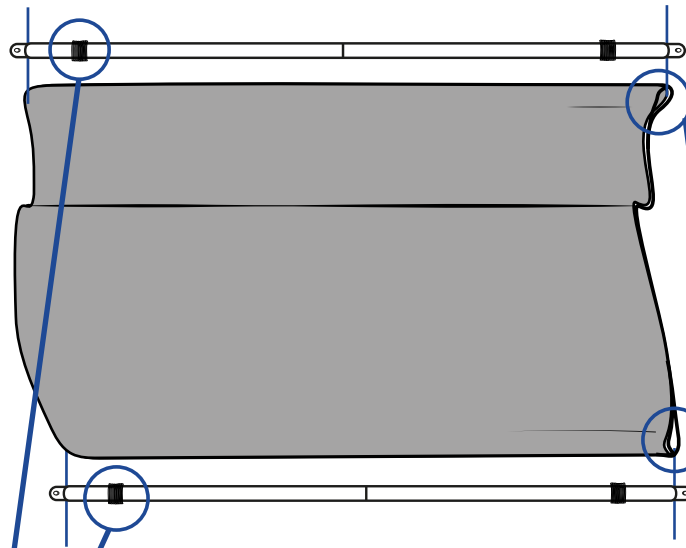
### ASSEMBLING VERTICAL POLES



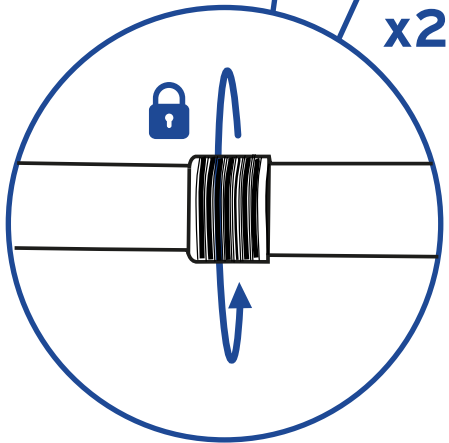
### ASSEMBLING HORIZONTAL POLES



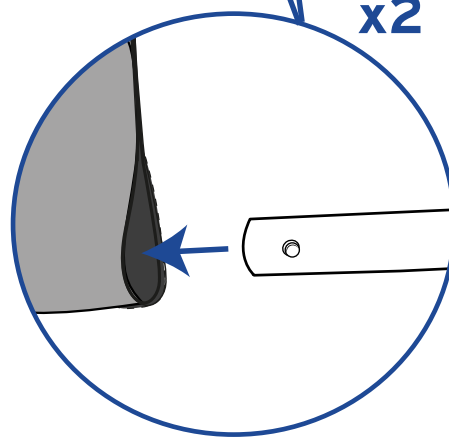
### INSERTING IN TO GRAPHIC



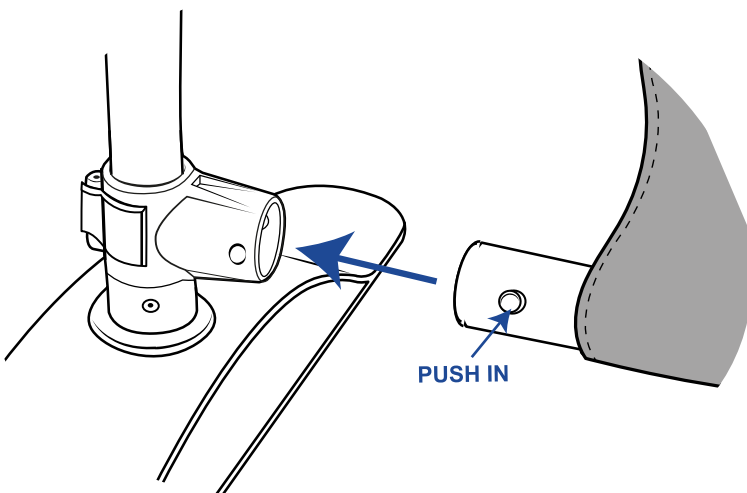
13



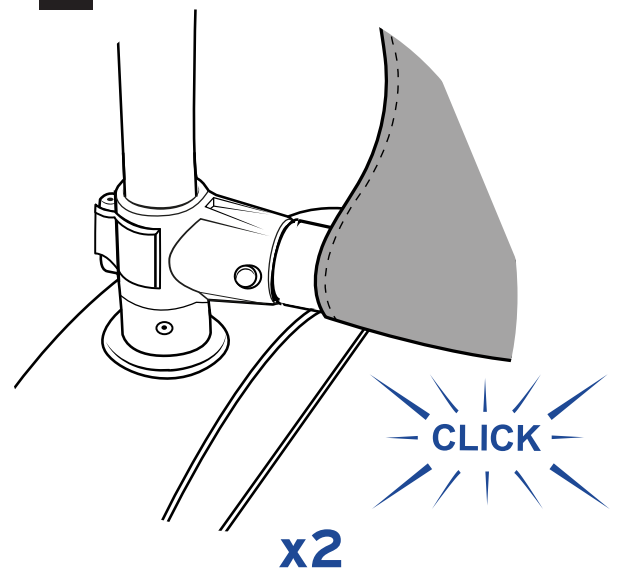
14

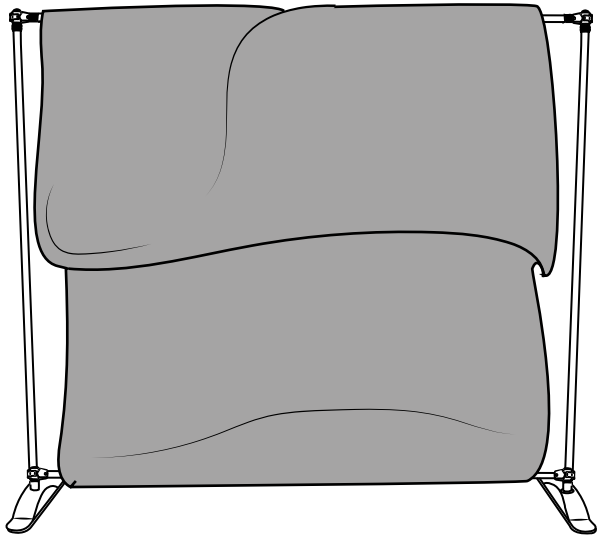
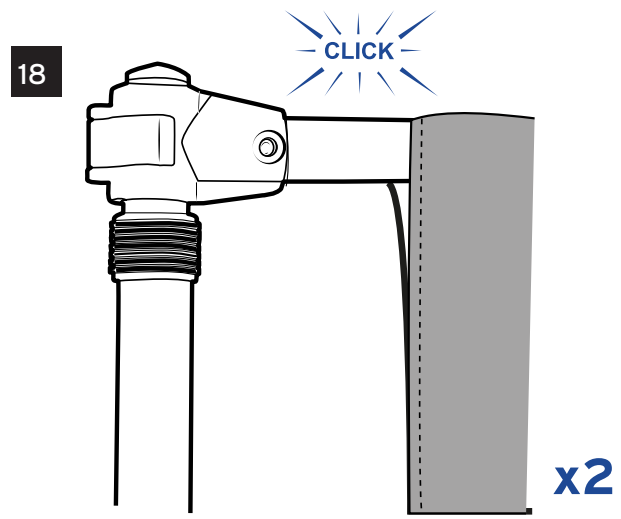
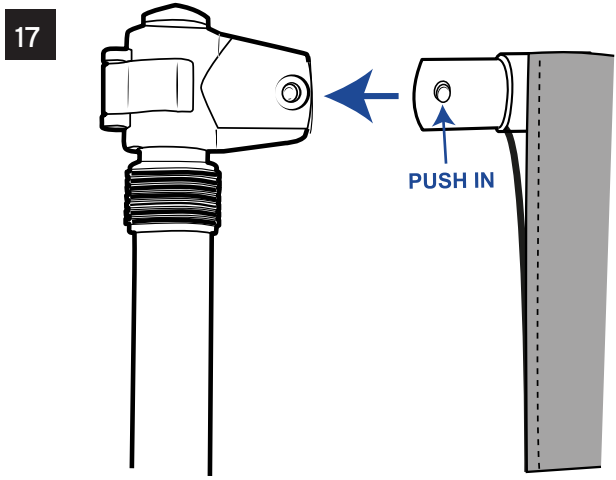


15



16





ADJUSTING THE FRAME

