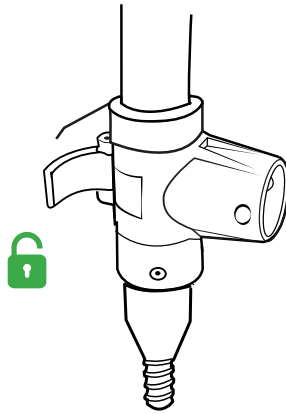
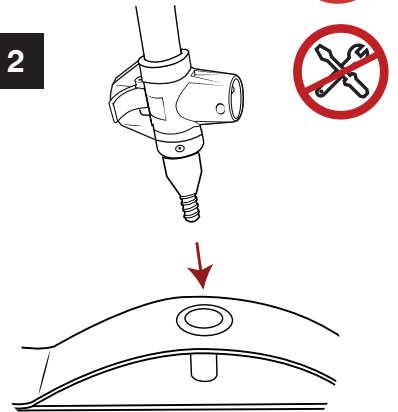
 These instructions should be used alongside the main pegasus user instructions.

1

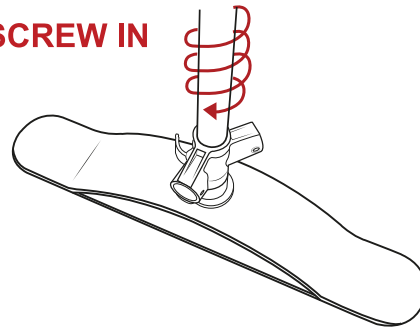


2



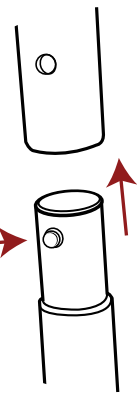
3

SCREW IN



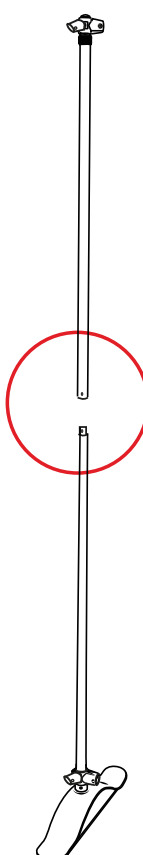
4

PUSH IN



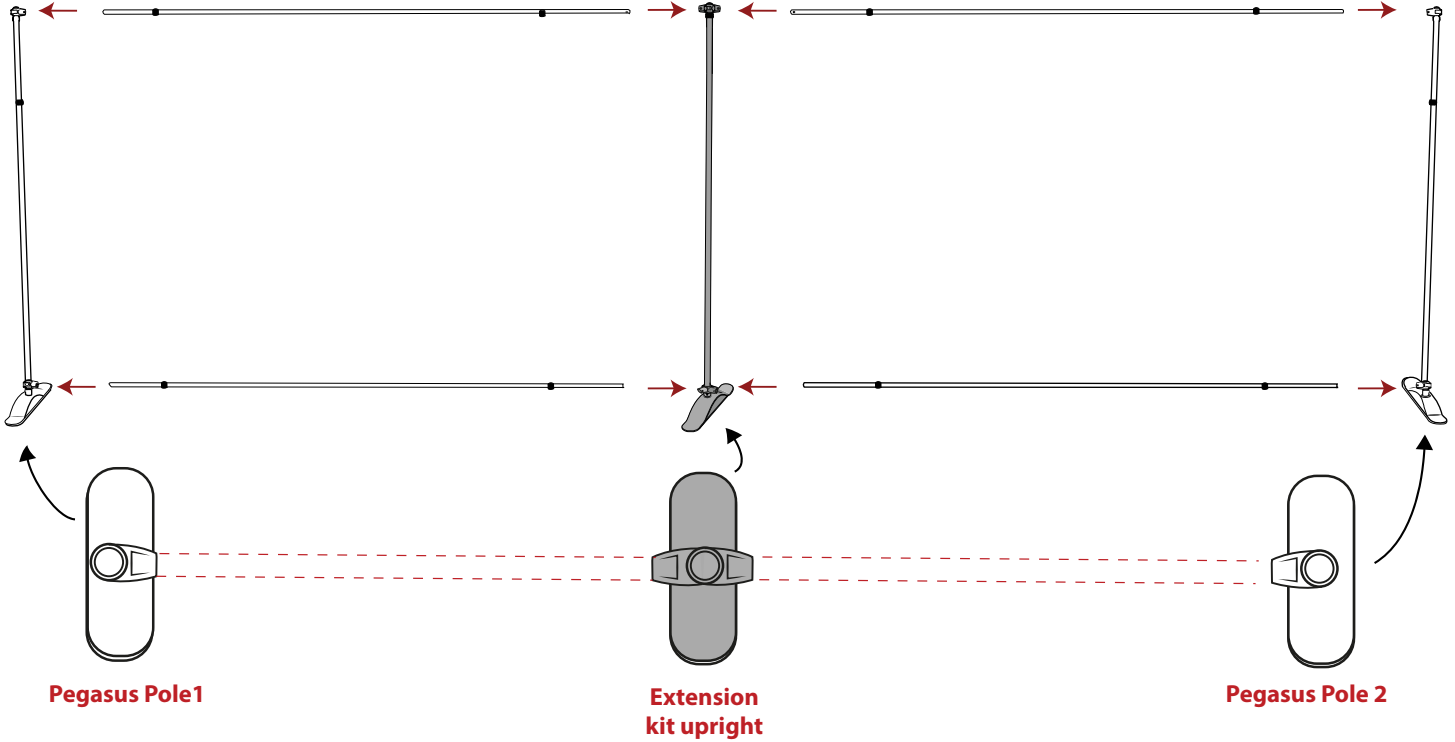
5

CLICK

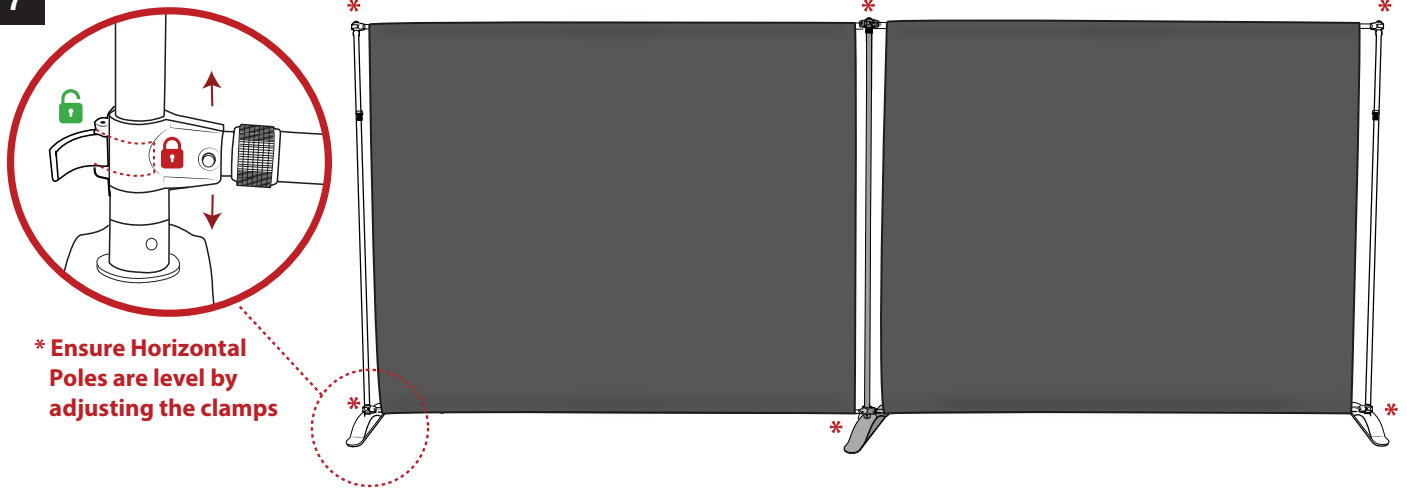




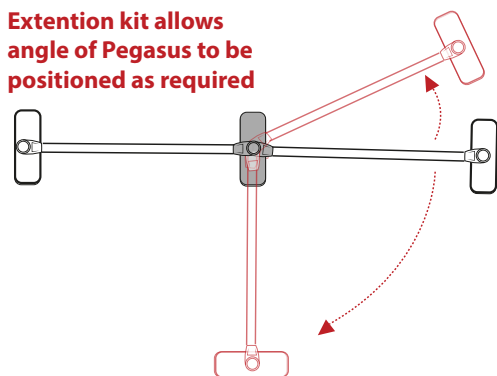
6 For Full Assembly details of the Pegasus Frames, refer to the main Pegasus User Instructions



7



Extension kit allows angle of Pegasus to be positioned as required



Multiple extension kits can be linked together using the same process to create countless configurations

