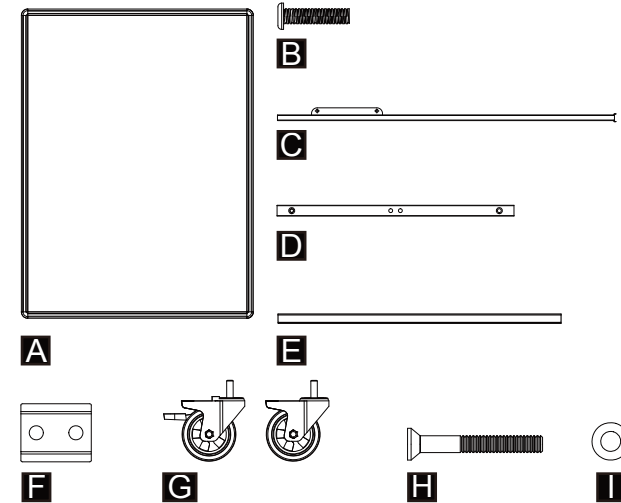


## Mobile White Board – Assembly Instructions



## Parts Supplied

- A:** Board (Box 1)
- B:** 4 x M6 Bolts (Box 1)
- C:** 2 x Frame Legs (Box 2)
- D:** 2 x Frame Feet (Box 2)
- E:** Frame Cross Bar (Box 2)
- F:** 2 x Leg Brackets (Box 2)
- G:** 2 x Braking Castors (Box 2)  
2 x Castors (Box 2)
- H:** 6 x M8 Bolts (Box 2)
- I:** 6 x M8 Washers (Box 2)



**Note:** Items F and H, are attached to item C;  
Items B are attached to the board.

## Tools Required

**Tools required:**

- 1 x 5mm Allen Key (Supplied in kit)
- 1 x Spanner (Supplied in kit)
- 1x Phillips Head Screw Driver (**Not** Supplied)

## Assembly Instructions

One person assembly: Best results will be gained when product is assembled on a flat desk or table.

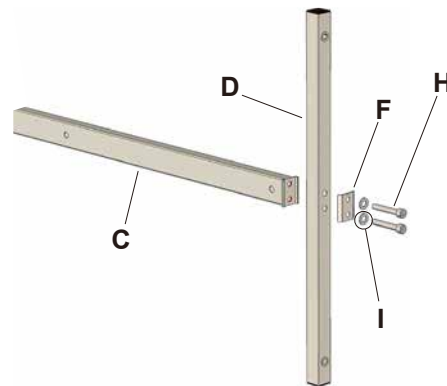
Two person assembly: Product can be assembled up-right.

Please follow the four simple steps detailed below.

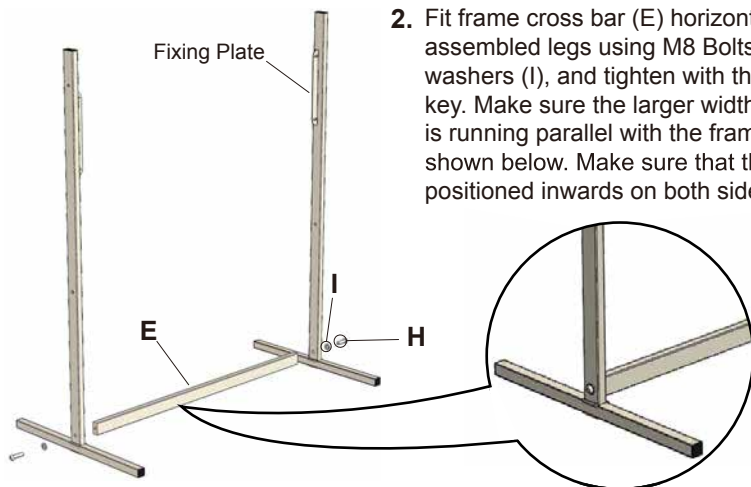
1. Unscrew M8 bolts (H) and bracket (F) from the bottom of the frame legs (C) and discard the plastic packer.

Fit the frame leg (C) to the frame feet (D) using leg bracket (F) and M8 bolts (H) & washers (I) and tighten using supplied 5mm Allen key.

Repeat process on second upright to be left with two complete legs.



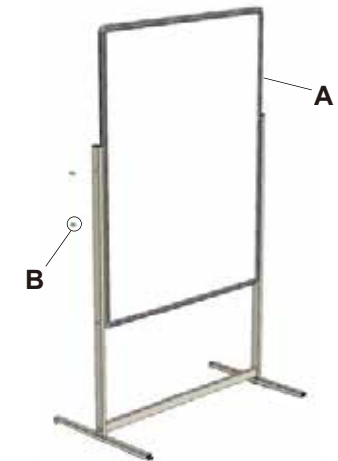
2. Fit frame cross bar (E) horizontally to assembled legs using M8 Bolts (H) and washers (I), and tighten with the 5mm Allen key. Make sure the larger width of the crossbar is running parallel with the frame leg, as shown below. Make sure that the fixing plate is positioned inwards on both sides.



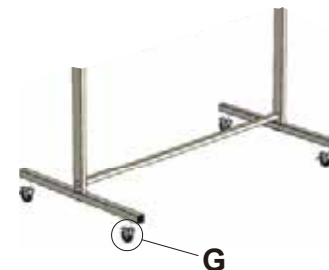
3. Unscrew the M6 Bolts (B) from the Board (A).

The board has two off set holes in each side of the board frame, rotating the board will determine the writing height of the unit when fully assembled.

Once you have chosen the correct height, align the holes on the board with the holes on the legs. The fixing plate should be connected onto the back of the board.



4. Now fit the castors and braking castors (G) to the bottom of the base legs, using the spanner to tighten. Ensure the two braking castors are positioned at diagonally apart.



Lastly check that all the bolts and screws have been tightened correctly.