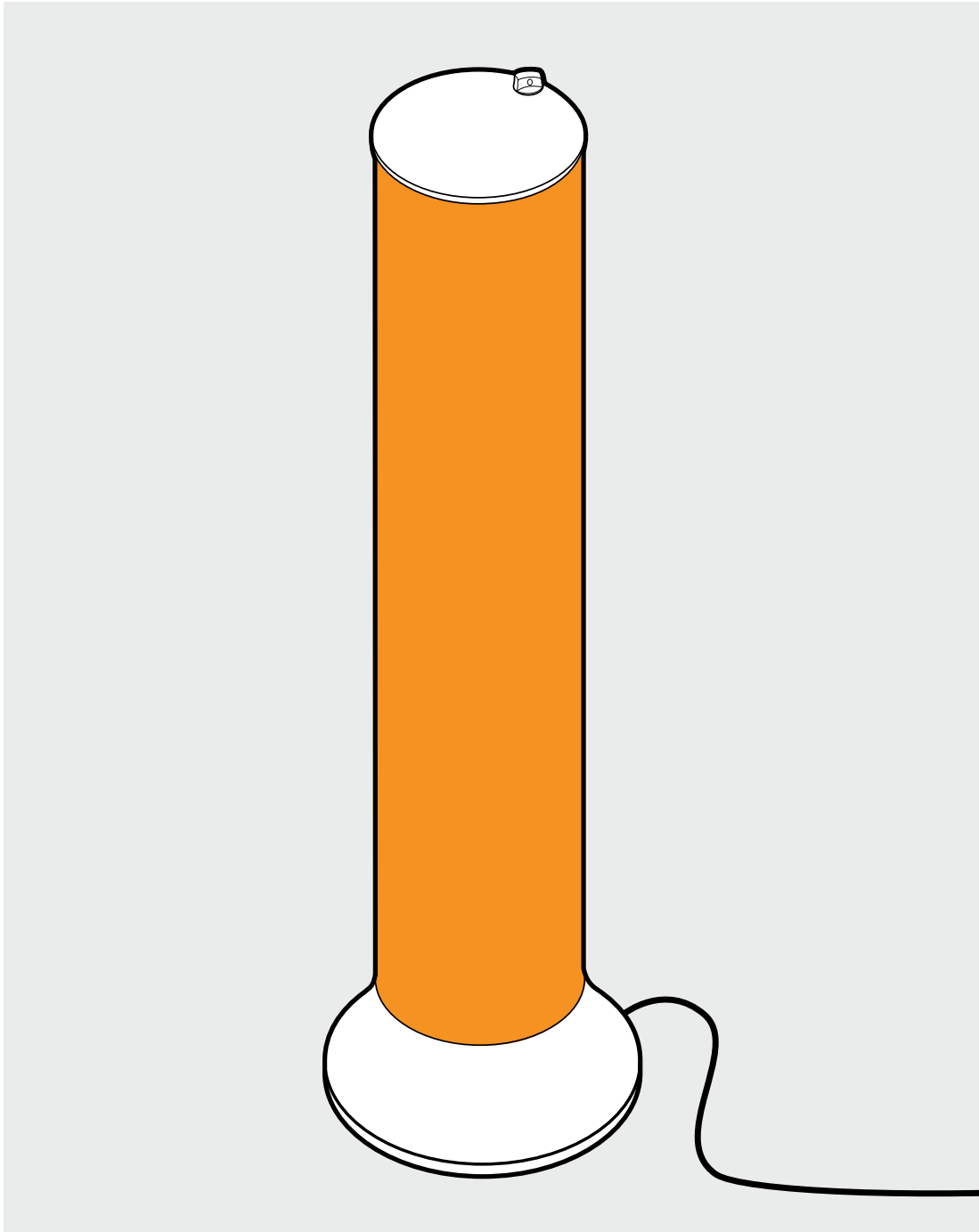




LUMOS MINI TOWER

product set up instructions

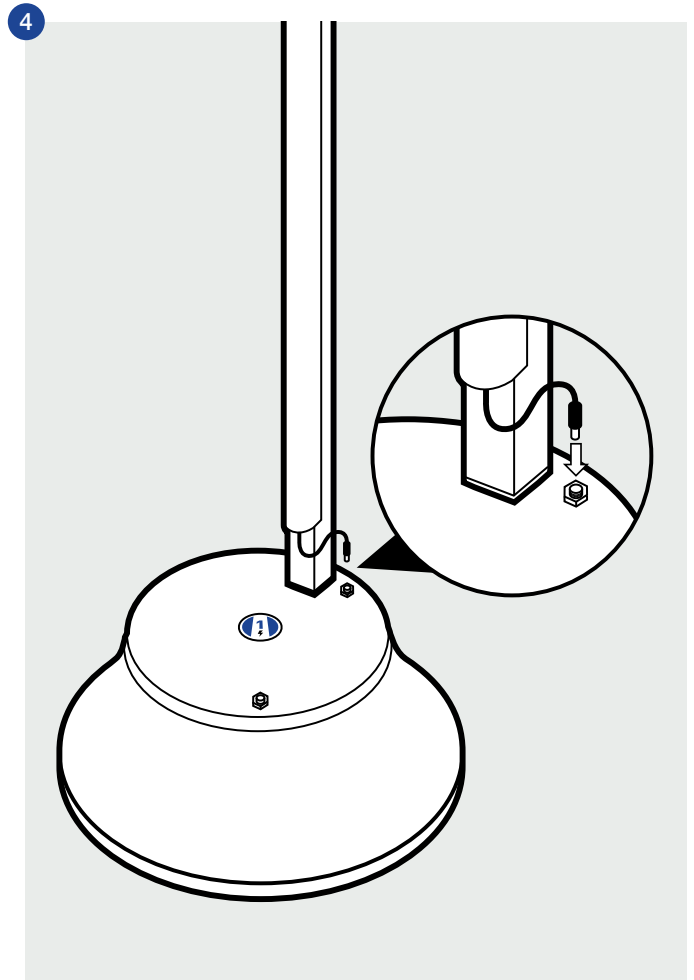
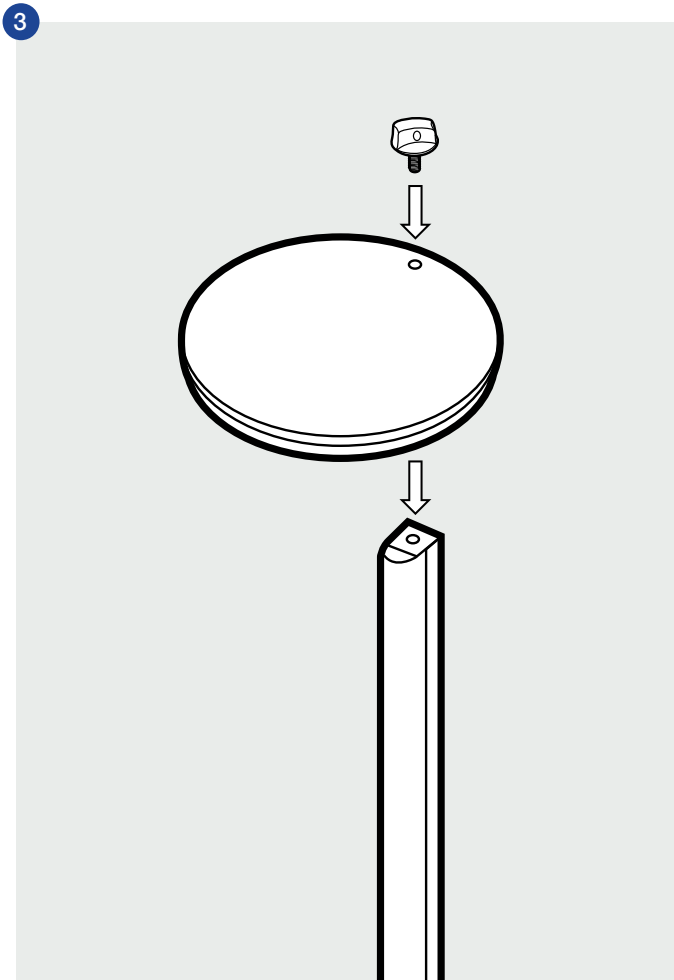
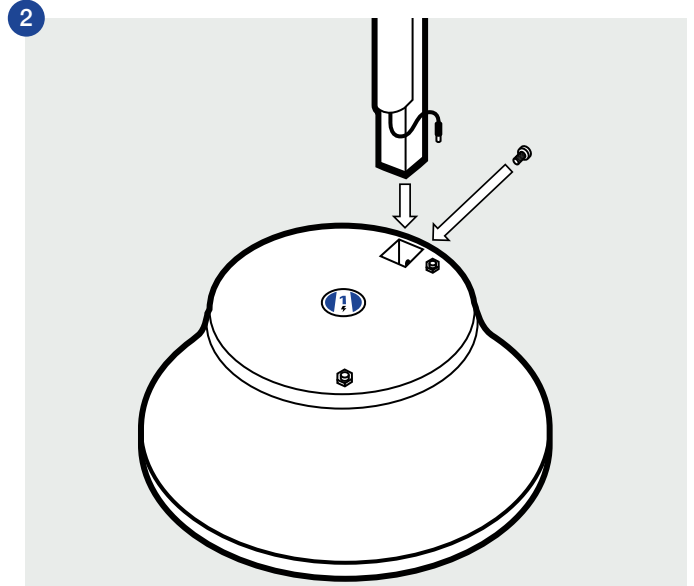
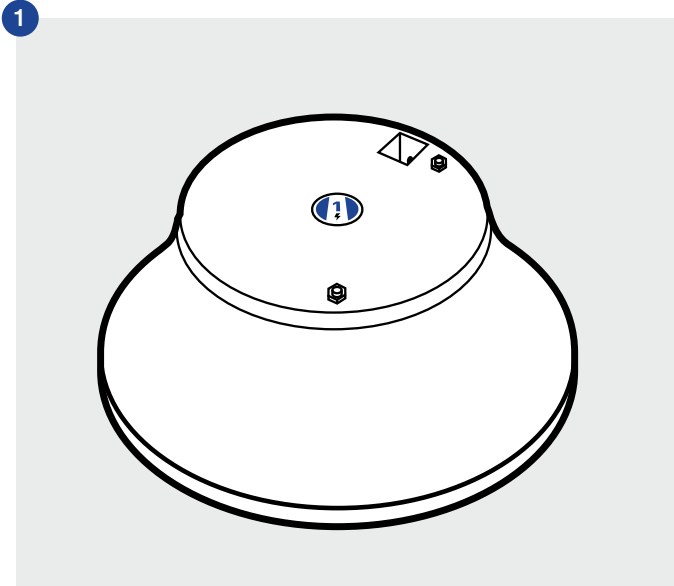
Lumos Mini Tower Setup Instructions



Lumos Mini Tower Setup Instructions

Items

2x base; 1x LED upright section; 1x top; 1x graphic panels; 1x transformer



Lumos Mini Tower Setup Instructions

