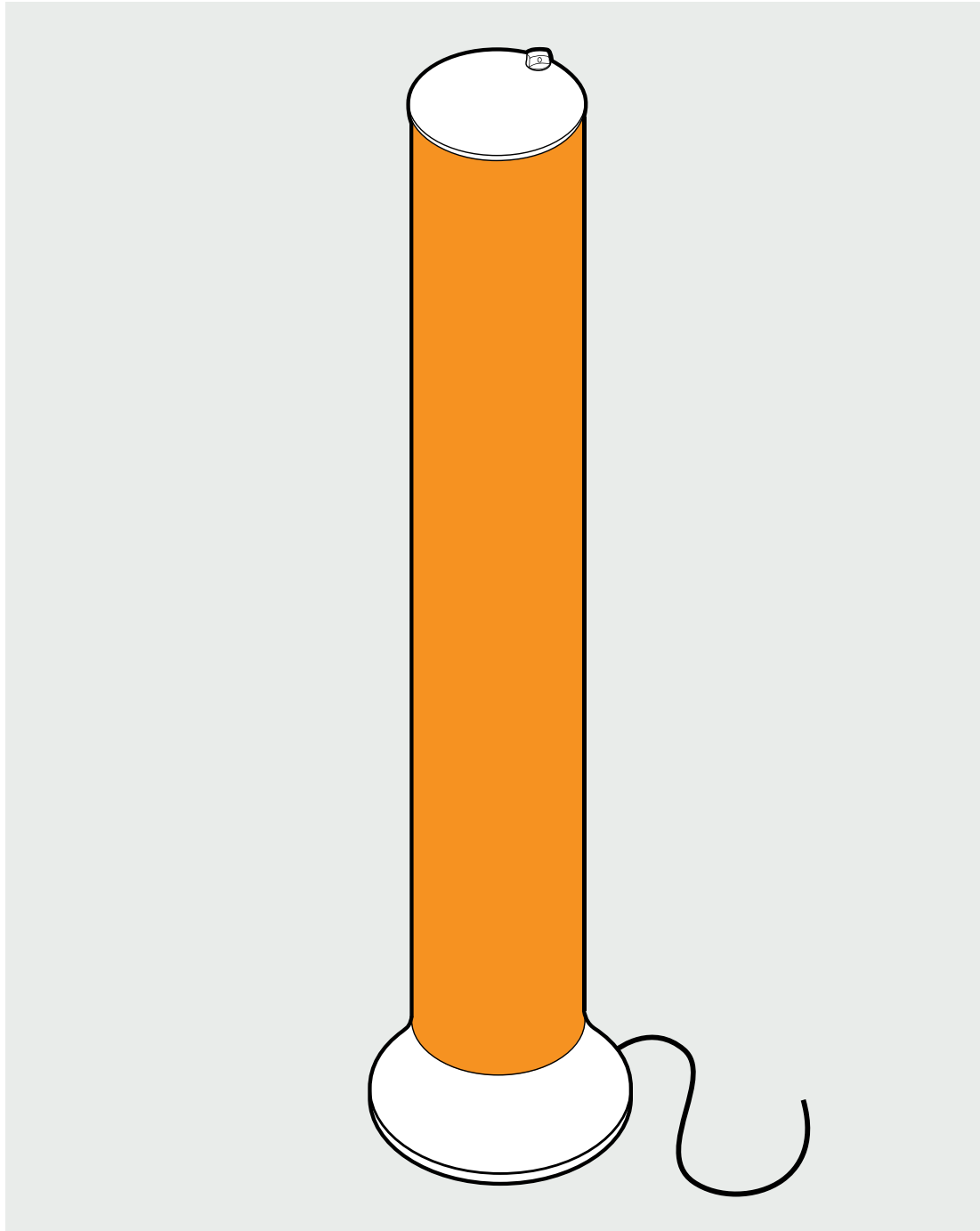




LUMOS MIDI TOWER

product set up instructions

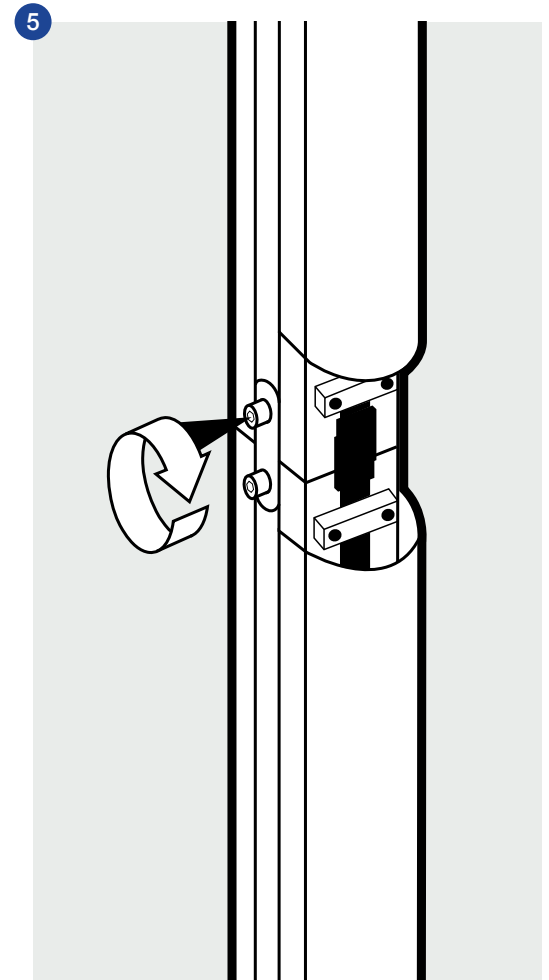
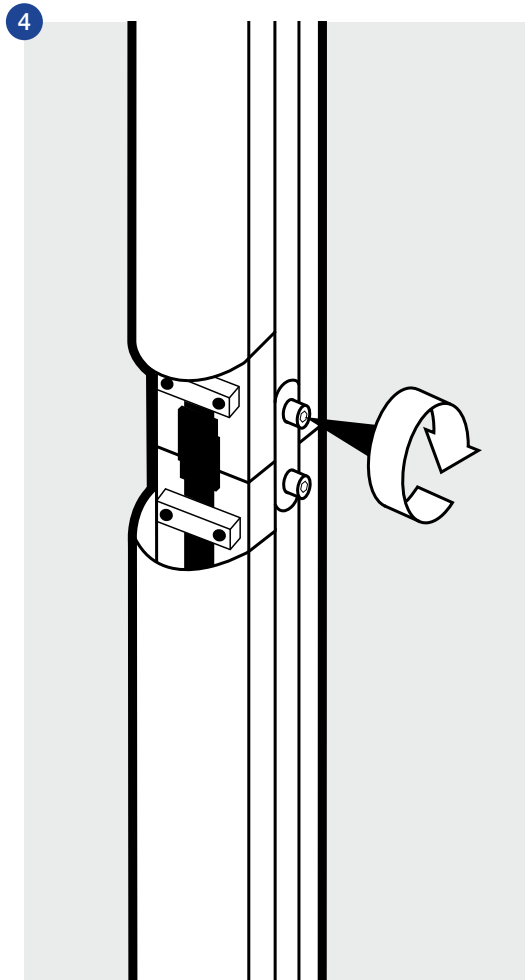
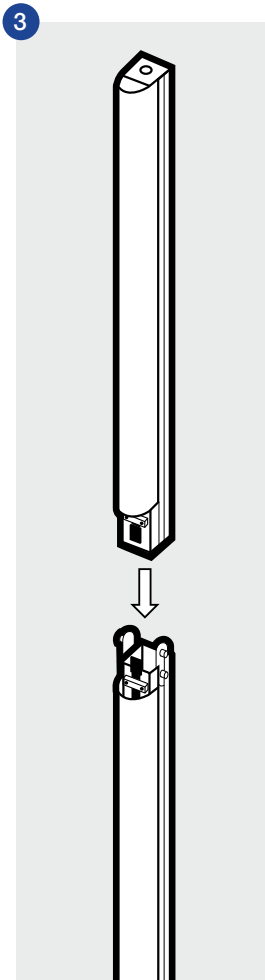
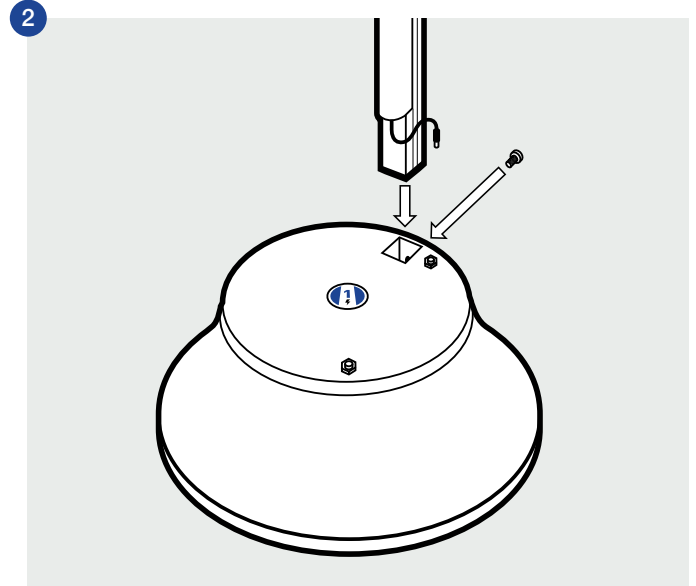
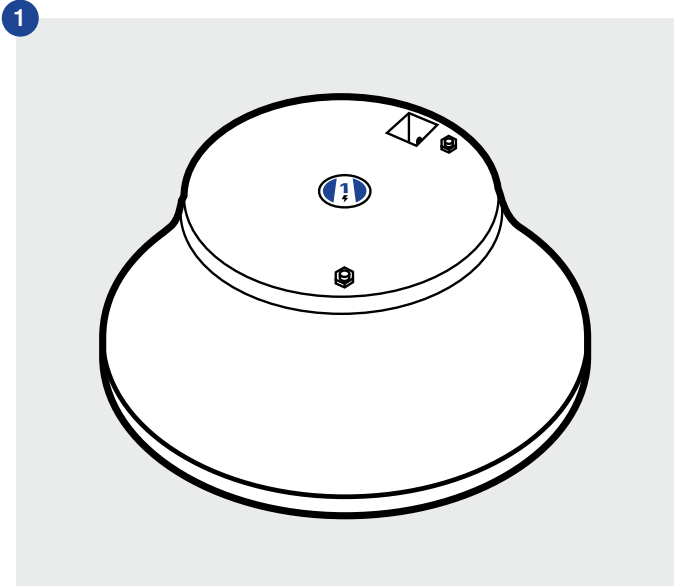
Lumos Mini Tower Setup Instructions



Lumos Midi Tower Setup Instructions

Items

1x base; 2x LED upright section; 1x top; 1x graphic panels; 1x transformer



Lumos Midi Tower Setup Instructions

