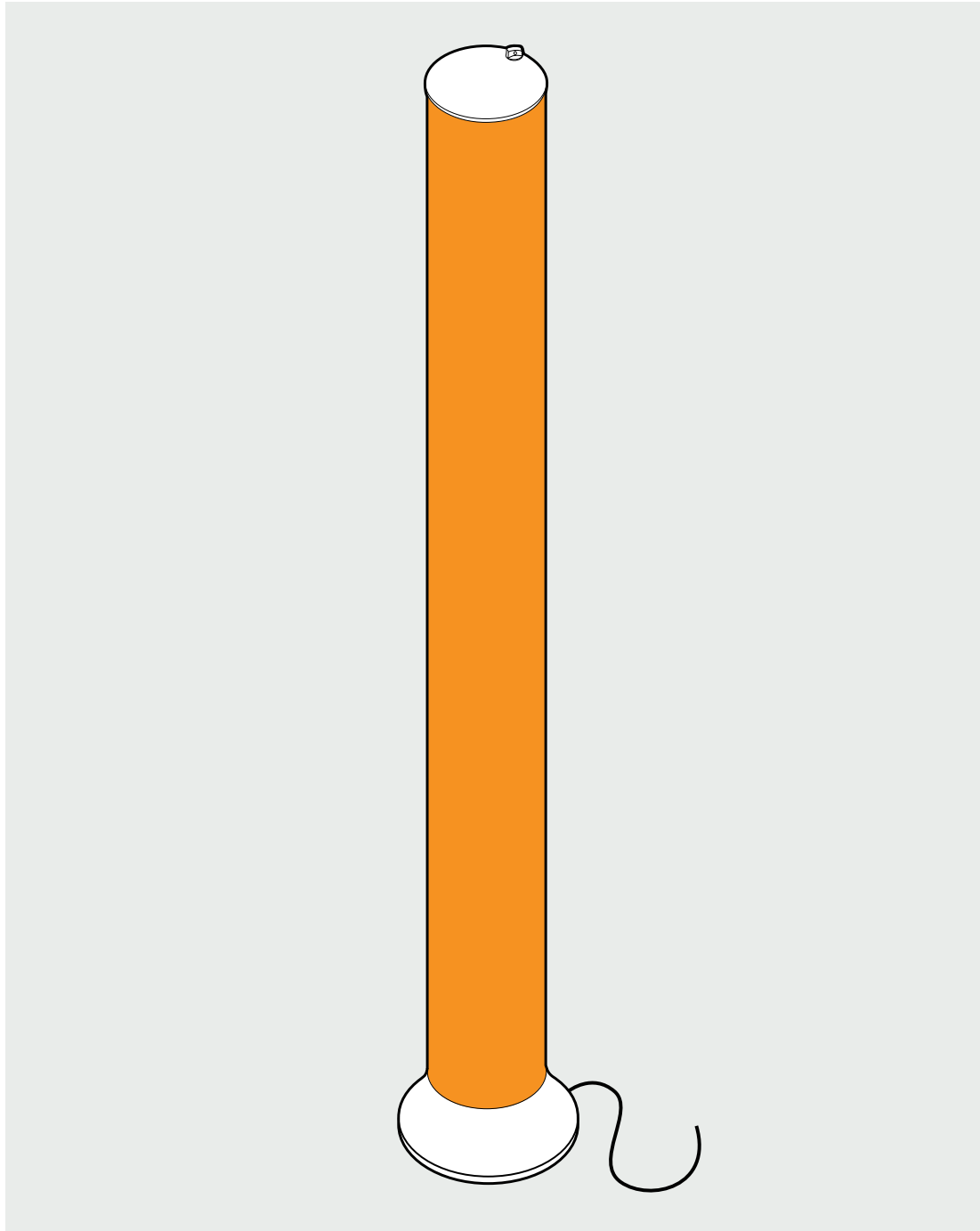




LUMOS MAXI TOWER

product set up instructions

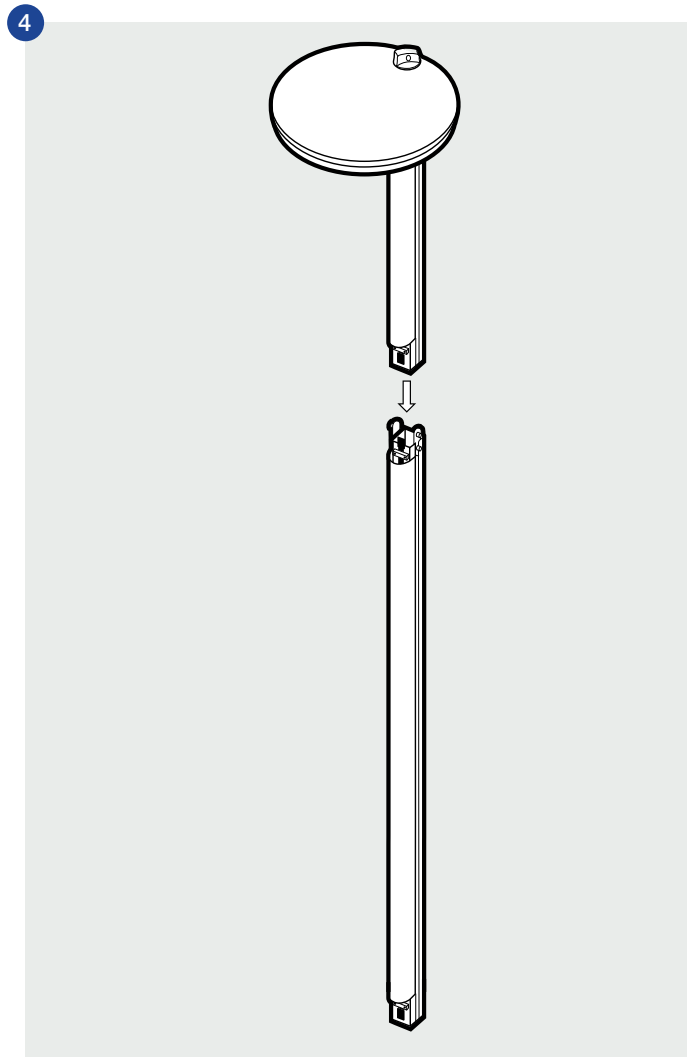
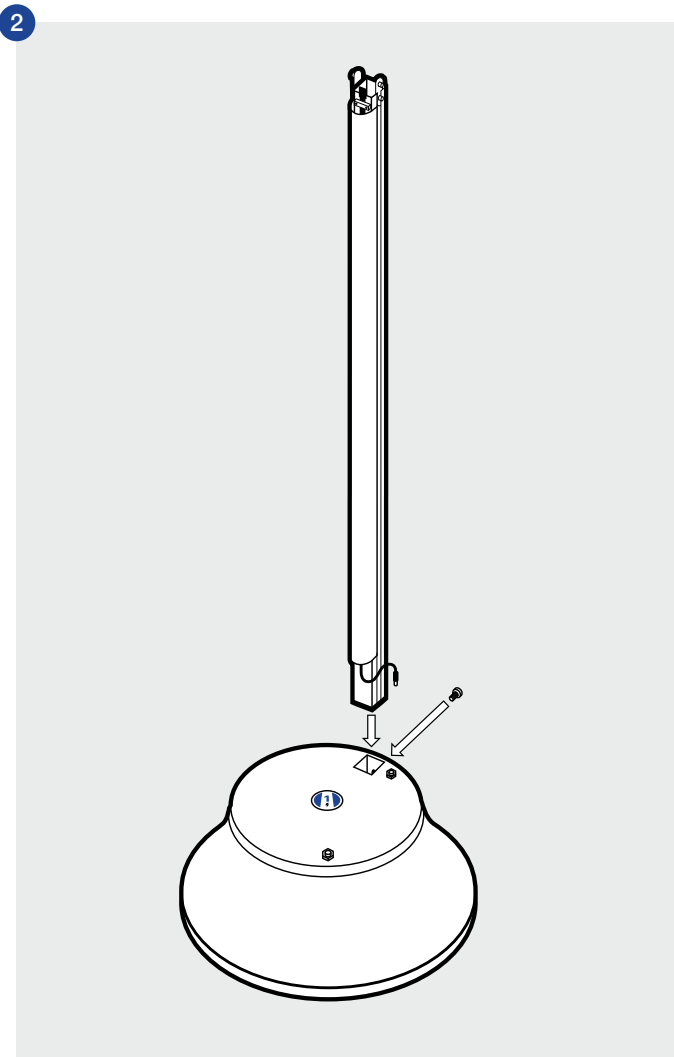
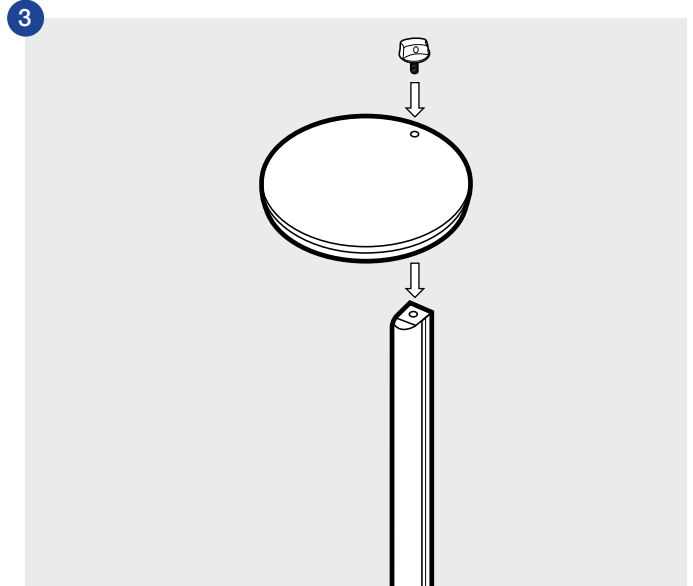
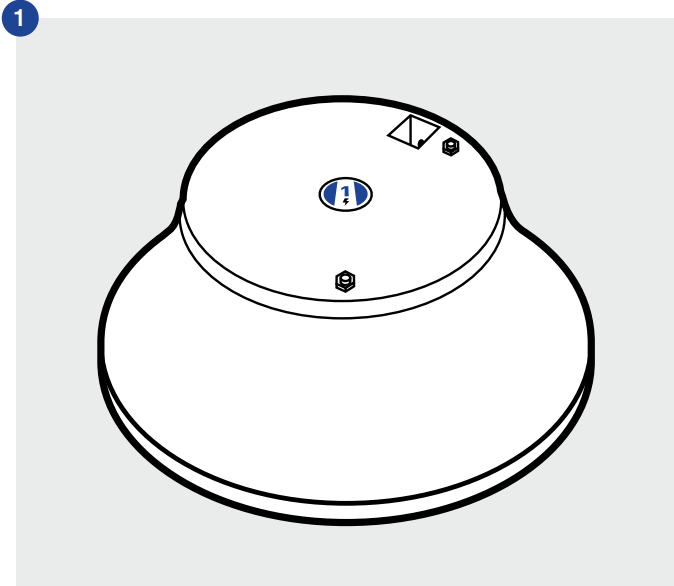
Lumos Maxi Tower Setup Instructions



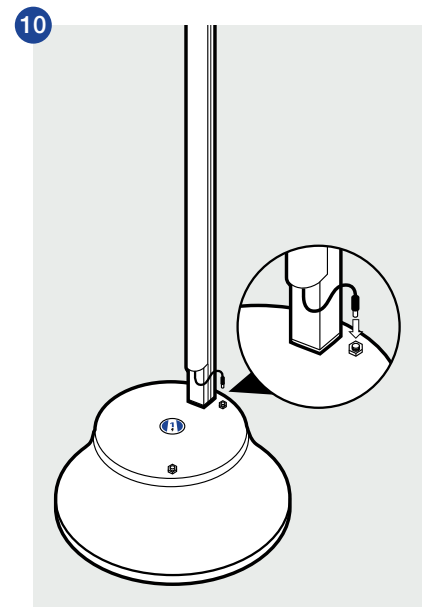
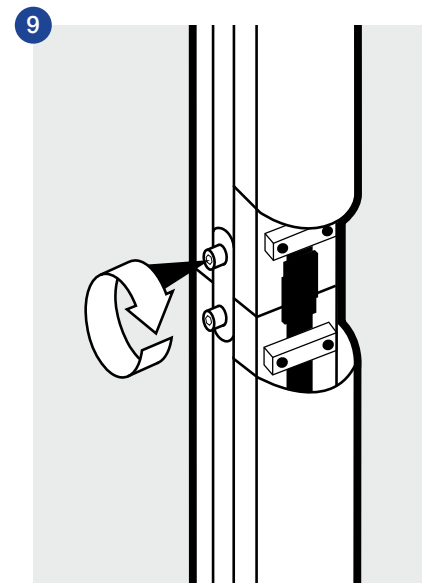
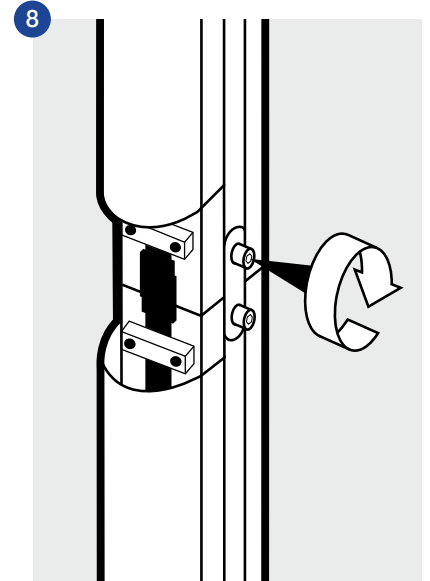
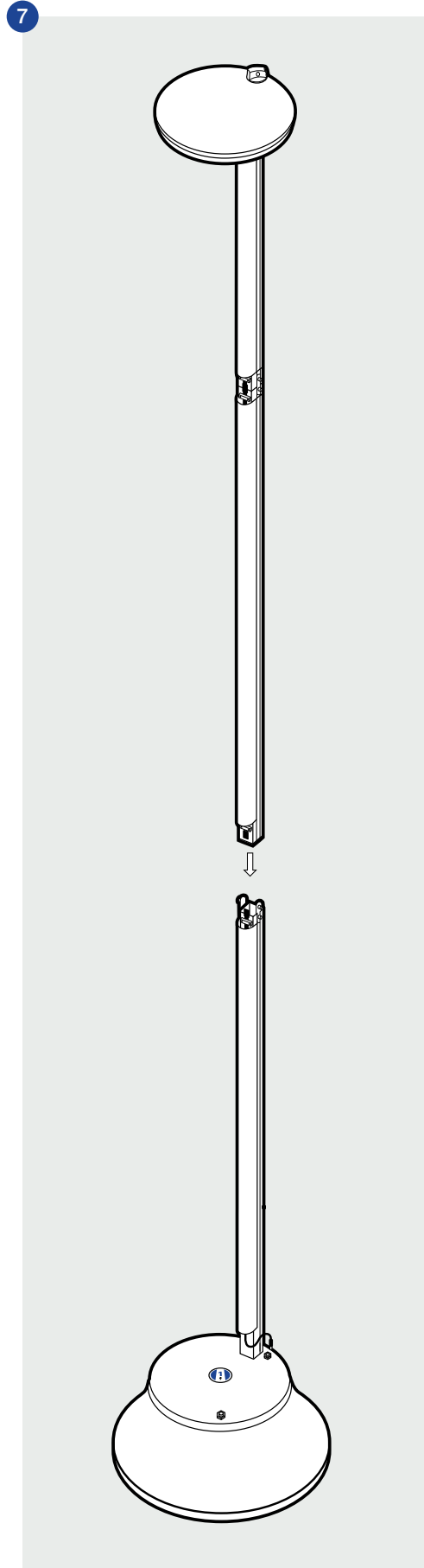
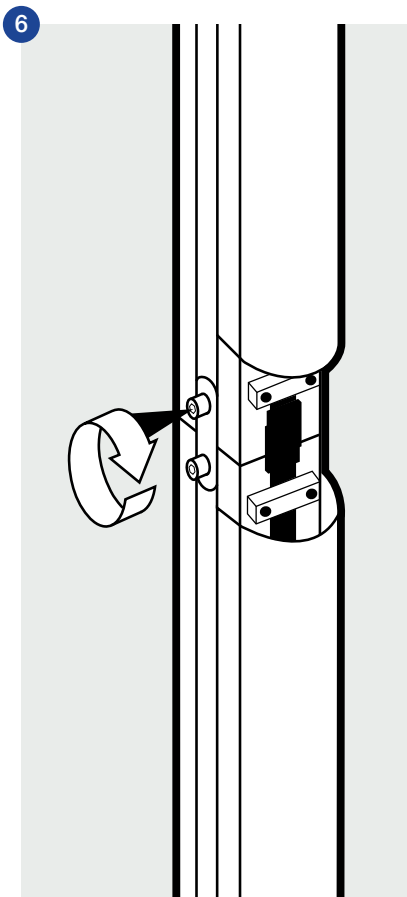
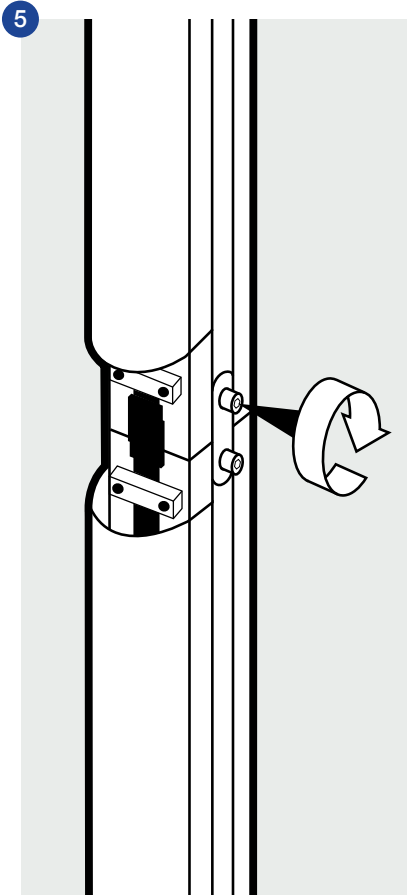
Lumos Maxi Tower Setup Instructions

Items

1x base; 2x LED upright section; 1x top; 1x graphic panels; 1x transformer

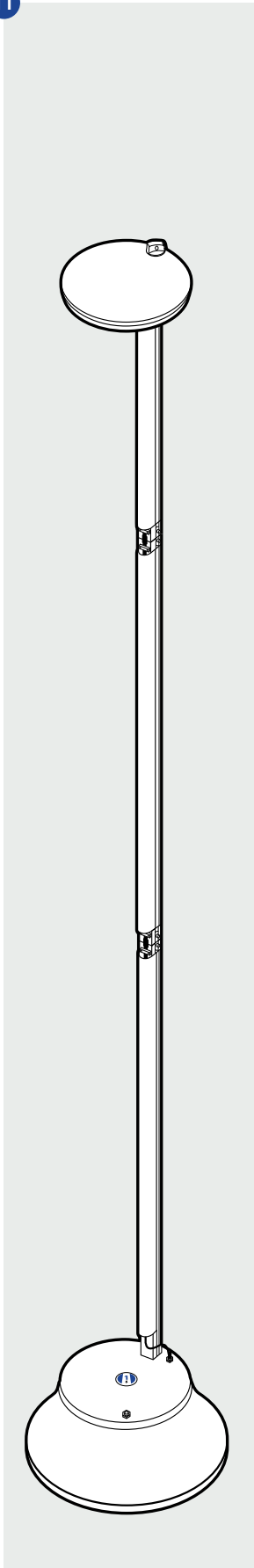


Lumos Maxi Tower Setup Instructions

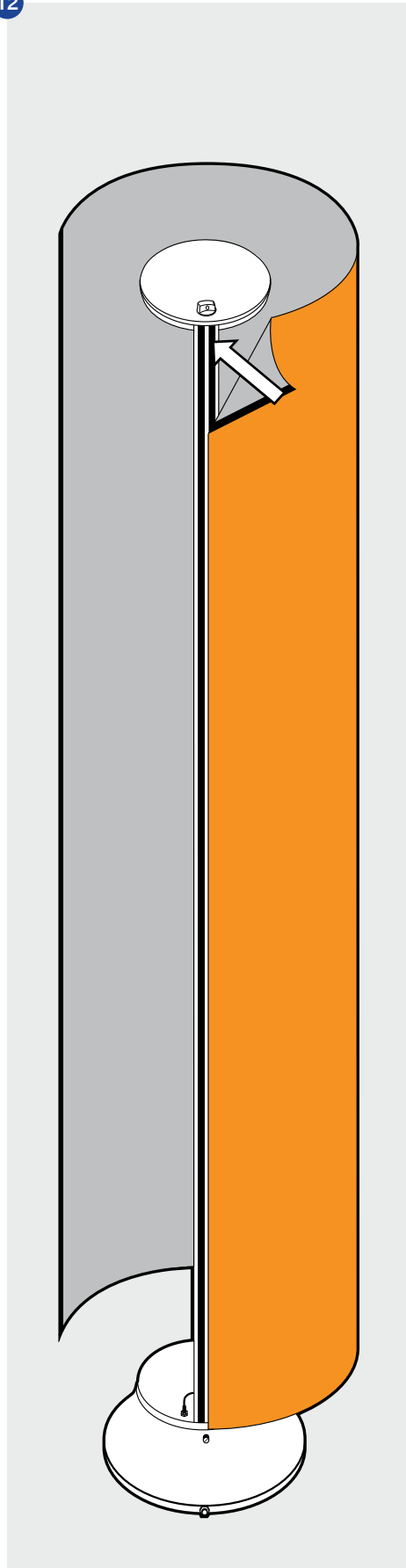


Lumos Maxi Tower Setup Instructions

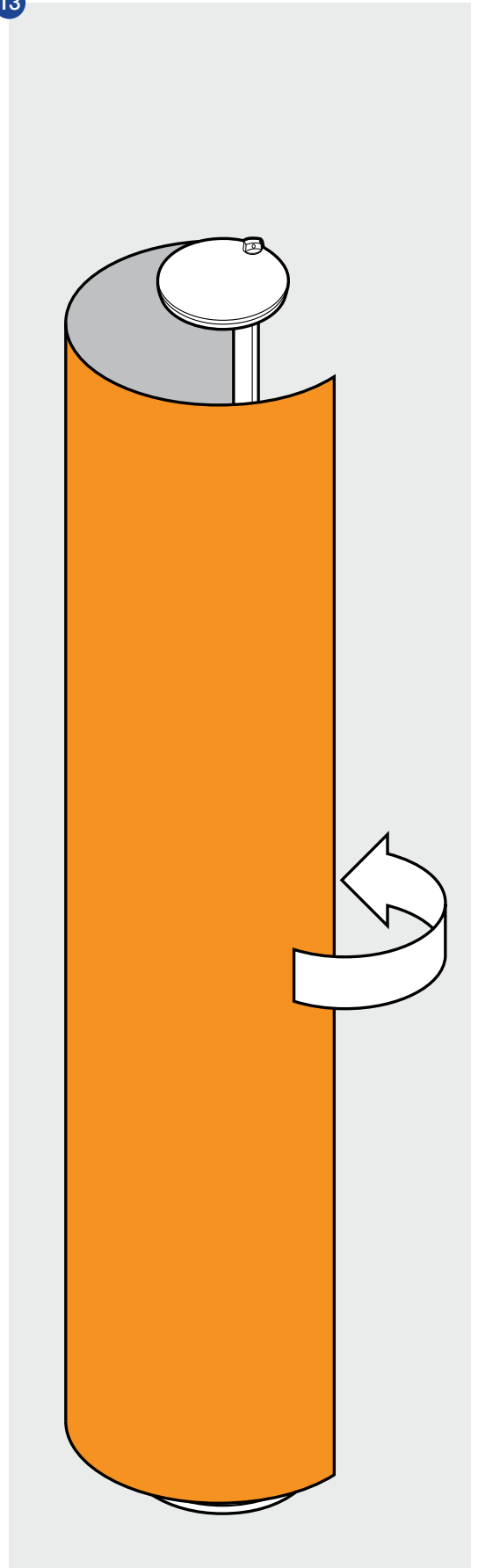
11



12

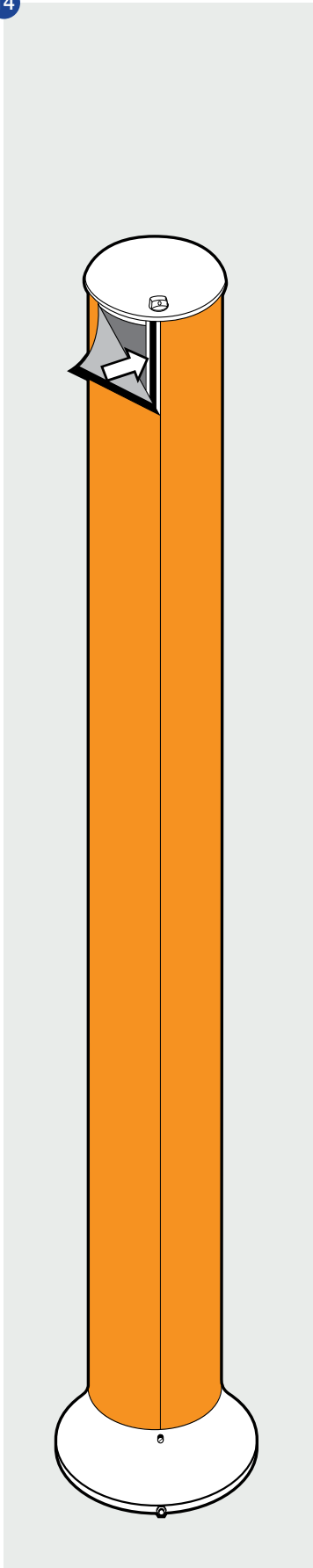


13

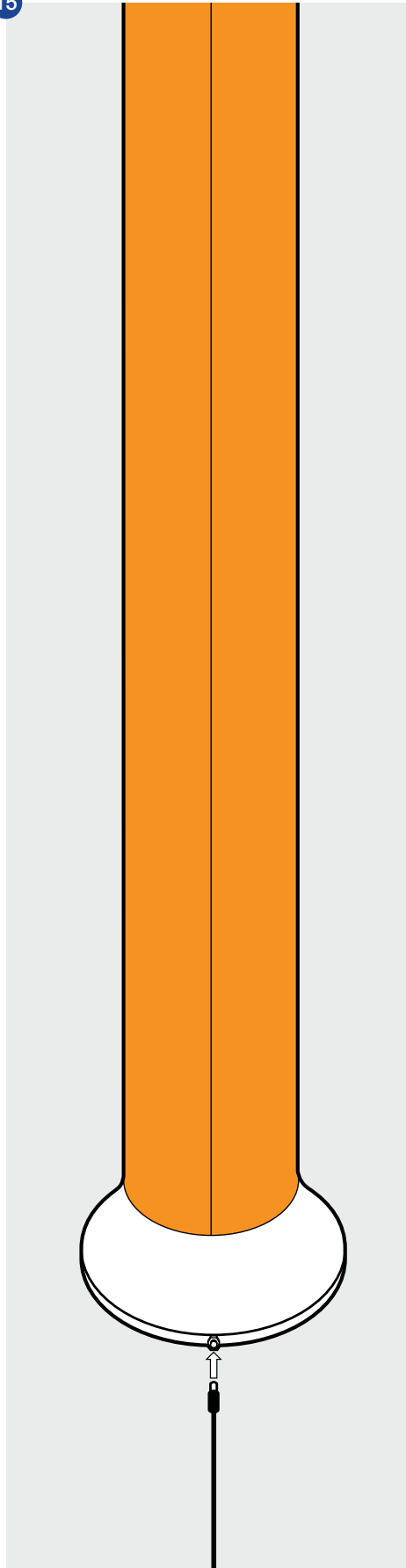


Lumos Maxi Tower Setup Instructions

14



15



16

