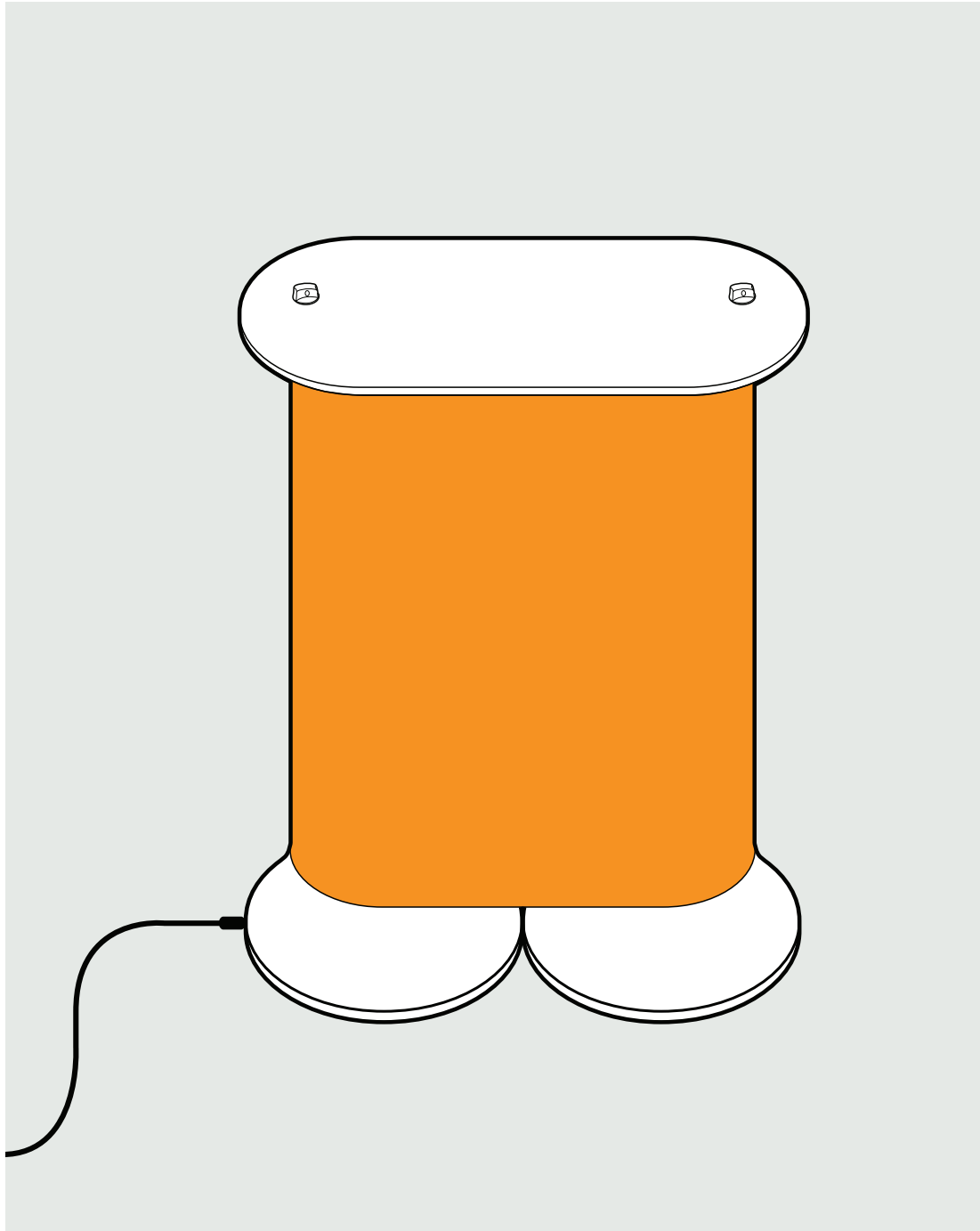




# LUMOS COUNTER

product set up instructions

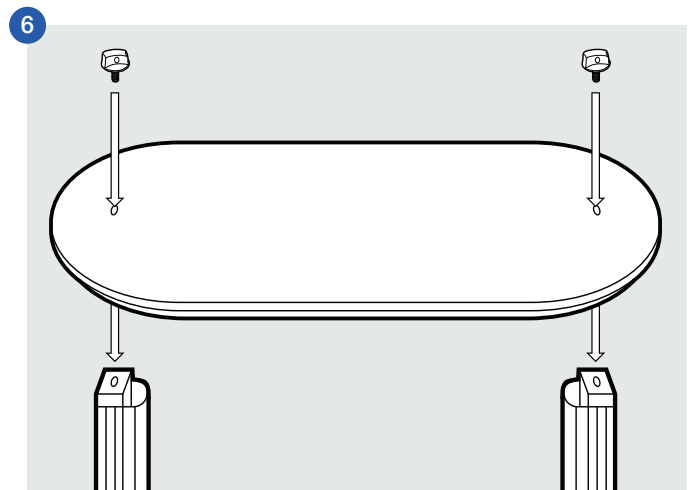
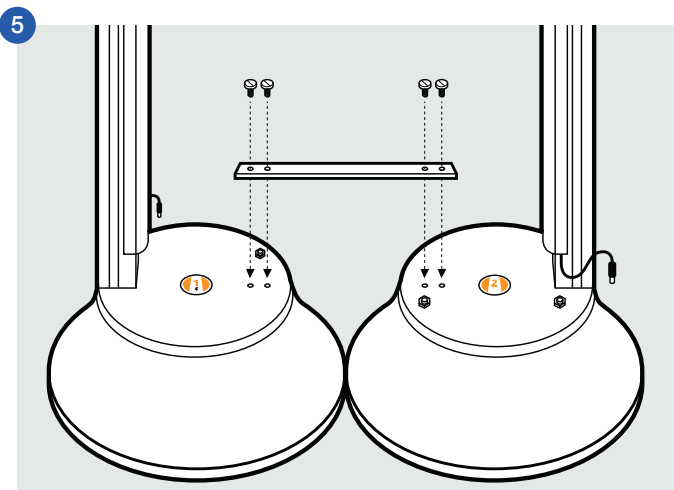
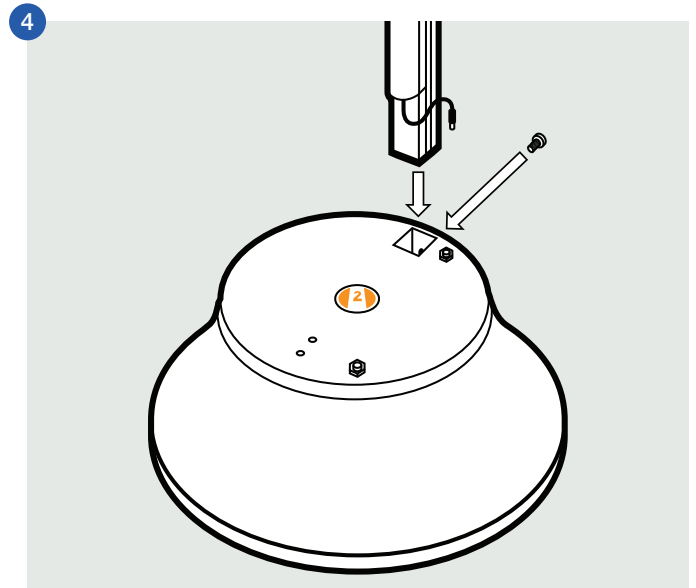
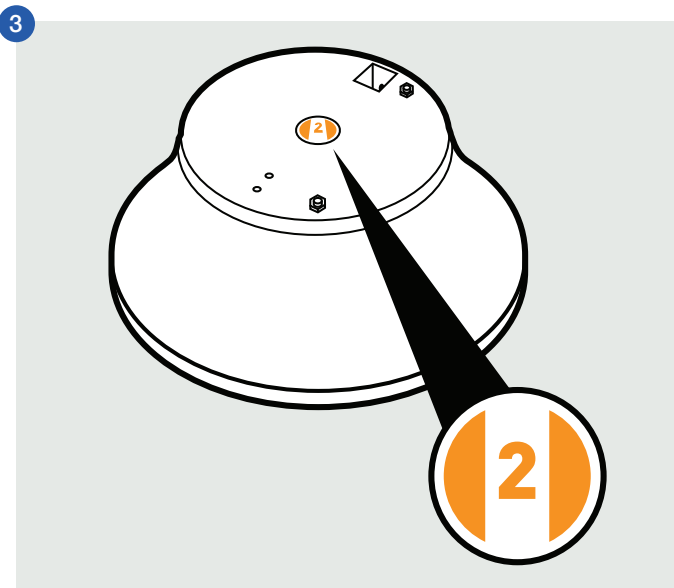
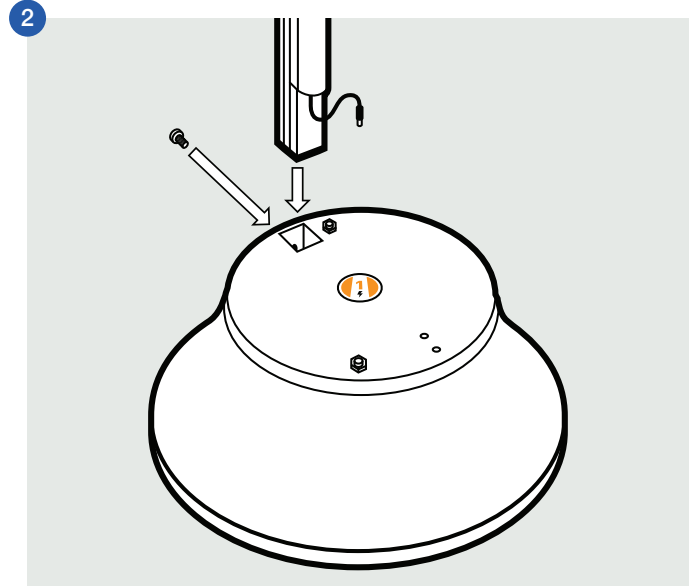
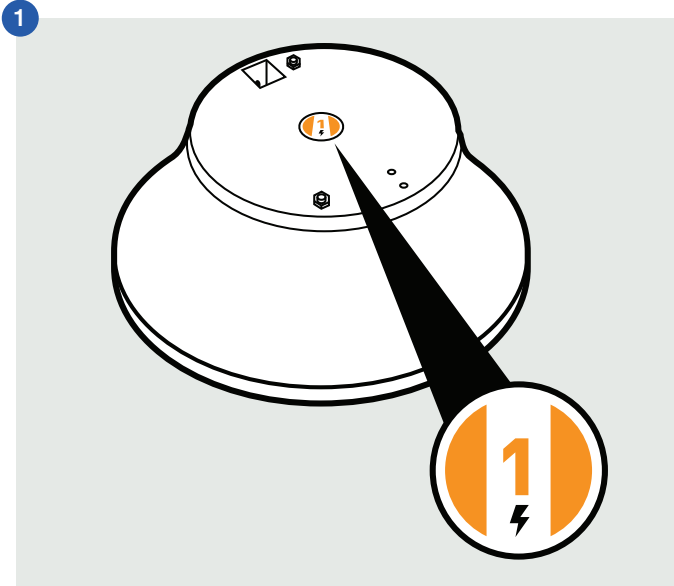
## Lumos Counter Setup Instructions



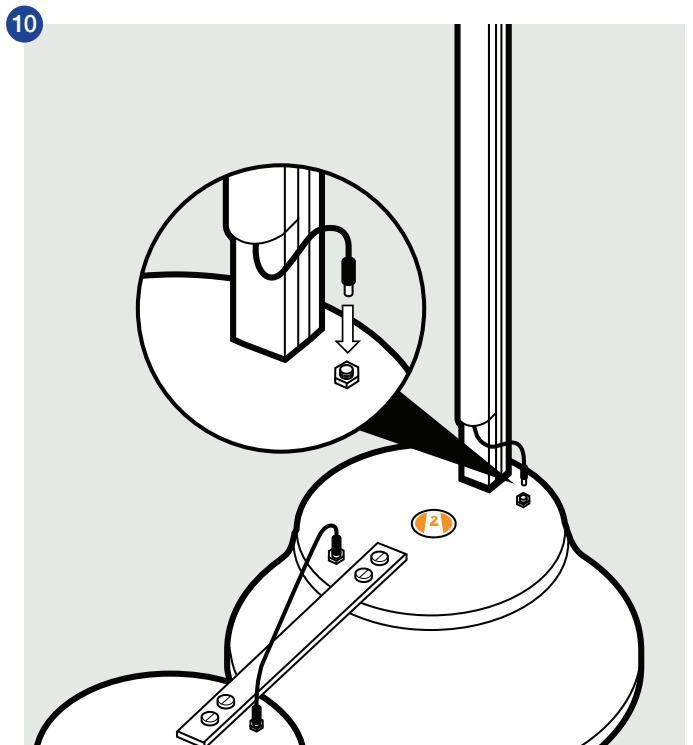
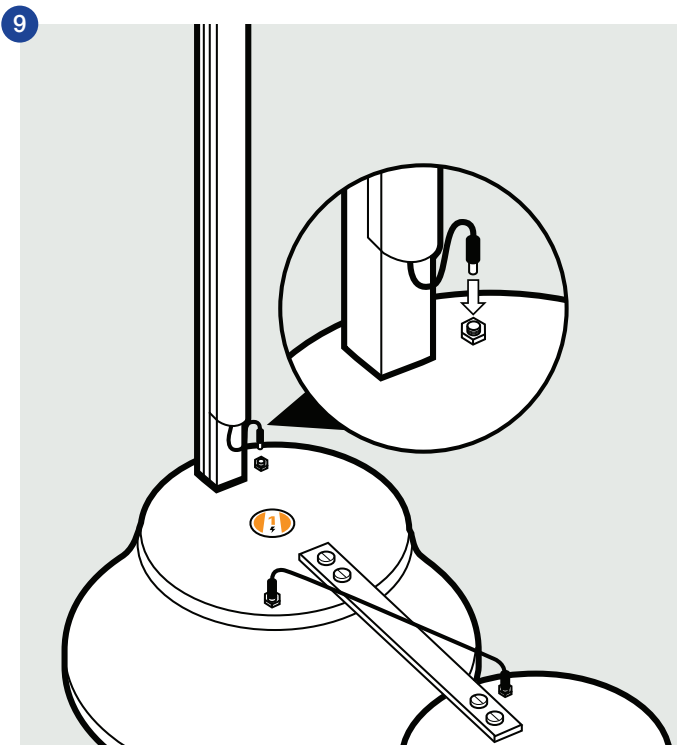
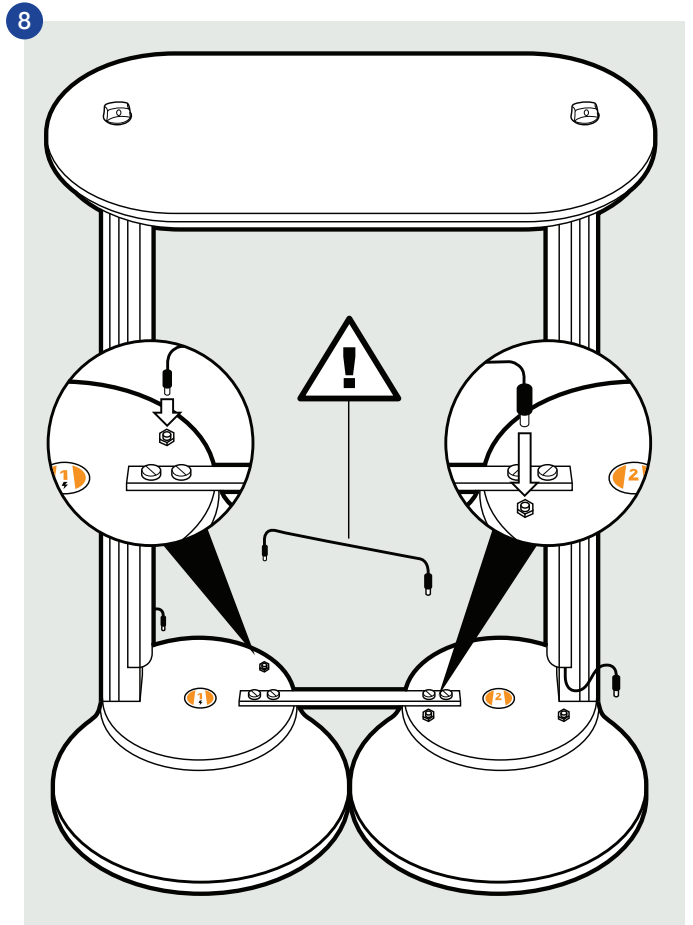
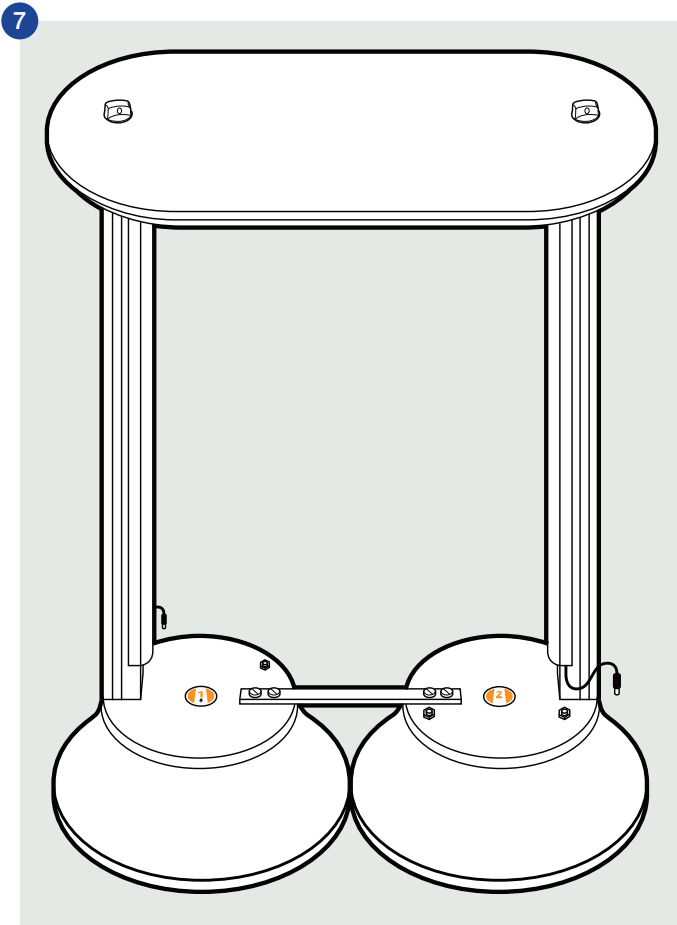
## Lumos Counter Setup Instructions

### Items

2x bases; 2x LED upright section; 1x connecting bar; 1x light connecting lead; 1x counter top; 1x graphic panel; 1x transformer



## Lumos Counter Setup Instructions



## Lumos Counter Setup Instructions

