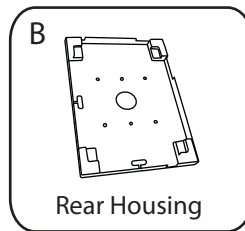
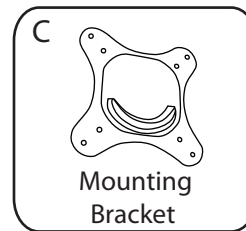


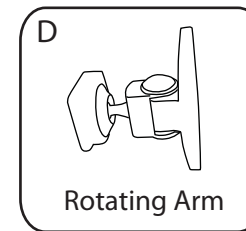
Front Cover



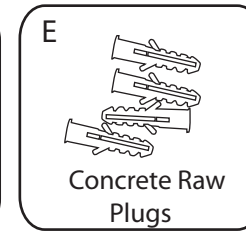
Rear Housing



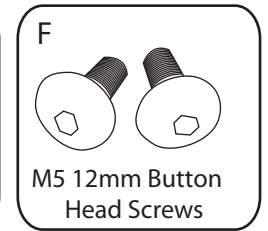
Mounting
Bracket



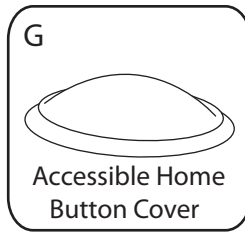
Rotating Arm



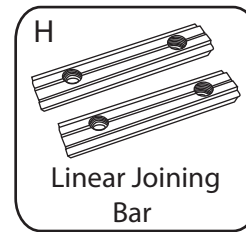
Concrete Raw
Plugs



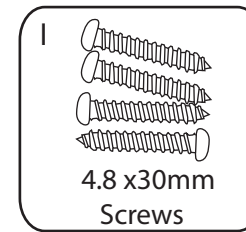
M5 12mm Button
Head Screws



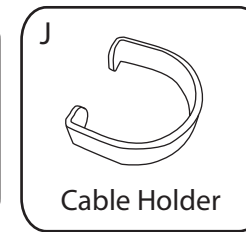
Accessible Home
Button Cover



Linear Joining
Bar



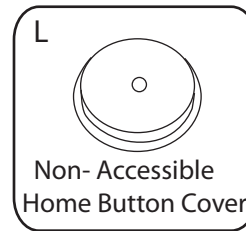
4.8 x30mm
Screws



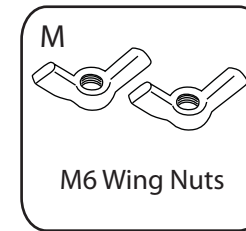
Cable Holder



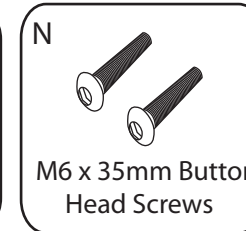
M4 x 16mm Socket
Head Cap Screws



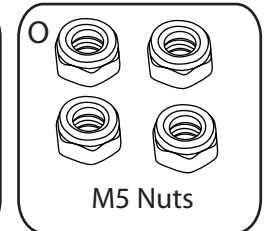
Non- Accessible
Home Button Cover



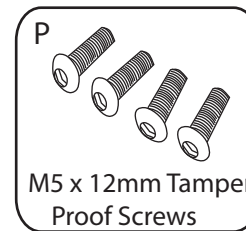
M6 Wing Nuts



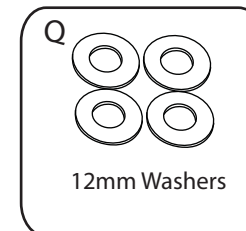
M6 x 35mm Button
Head Screws



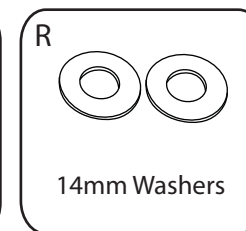
M5 Nuts



M5 x 12mm Tamper
Proof Screws



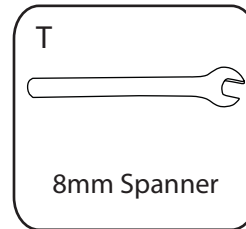
12mm Washers



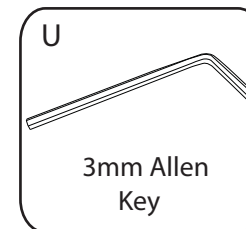
14mm Washers



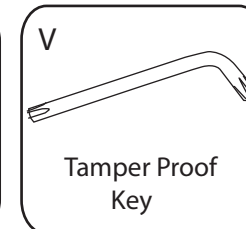
M5 x 8mm Tamper
Proof Screws



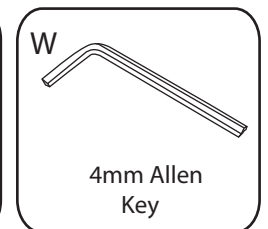
8mm Spanner



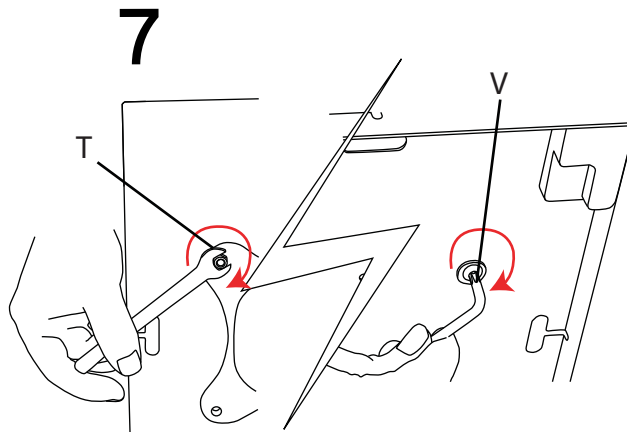
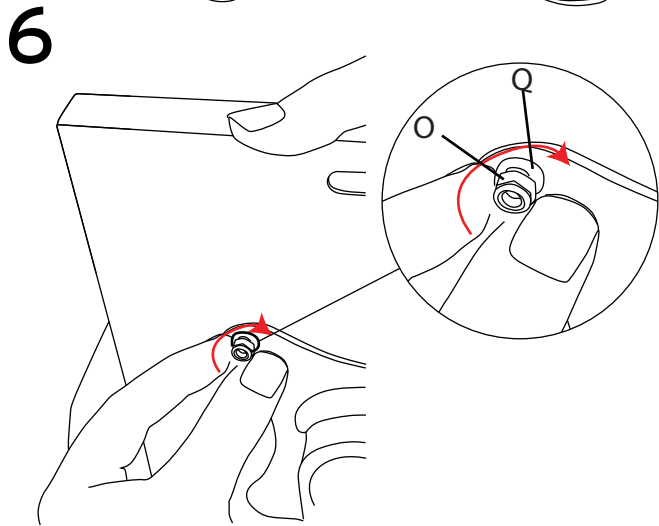
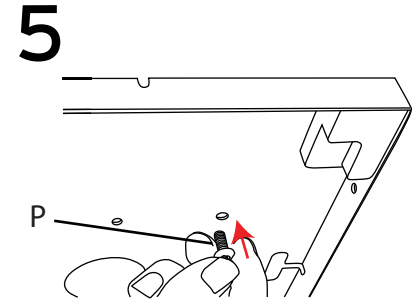
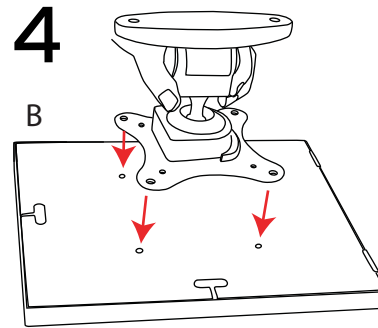
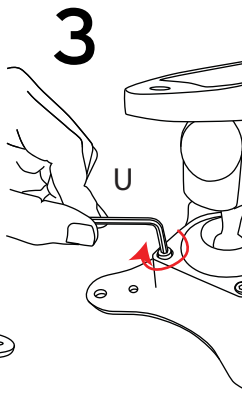
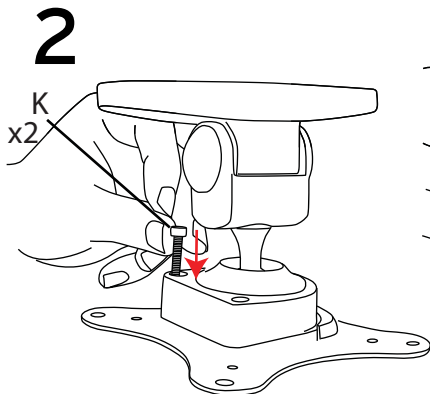
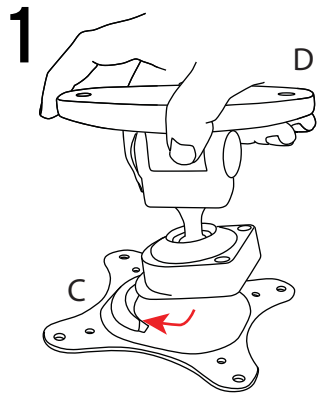
3mm Allen
Key

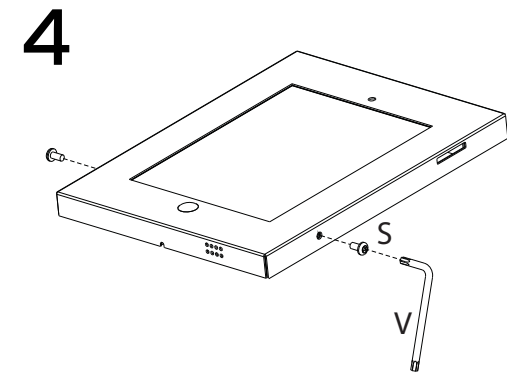
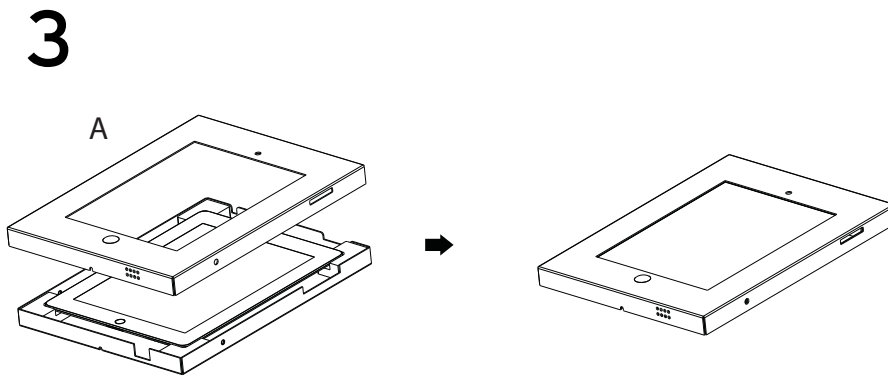
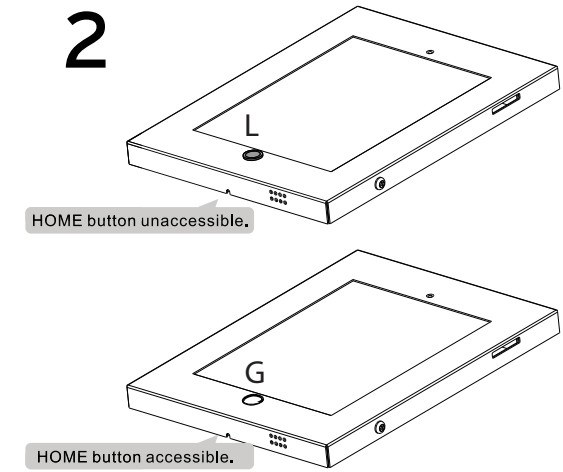
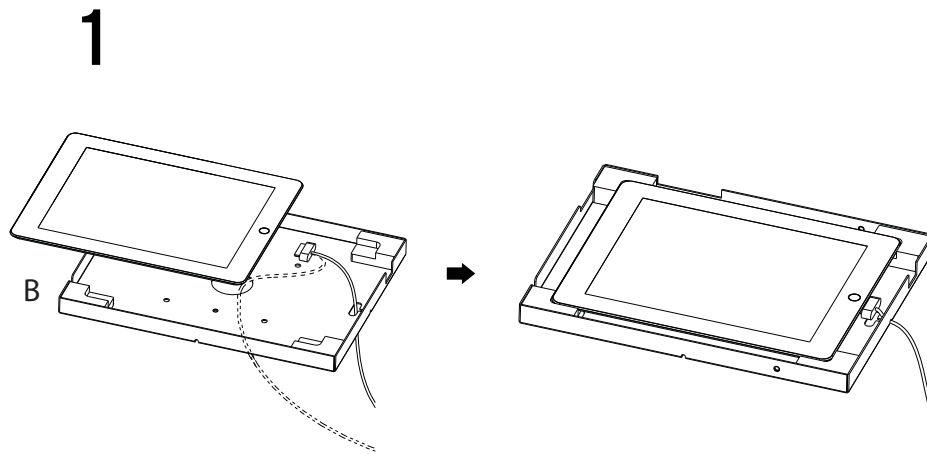


Tamper Proof
Key

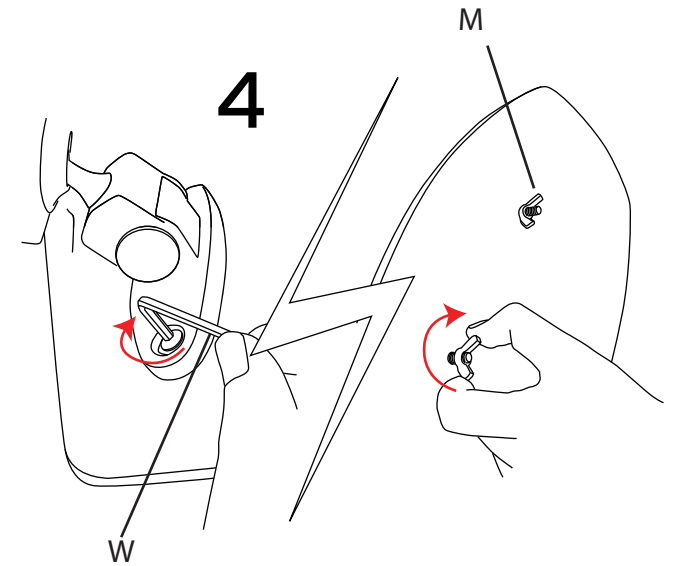
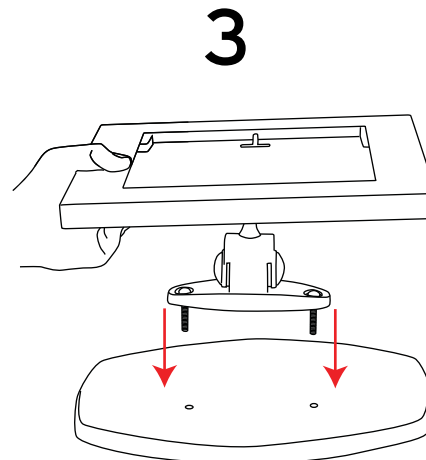
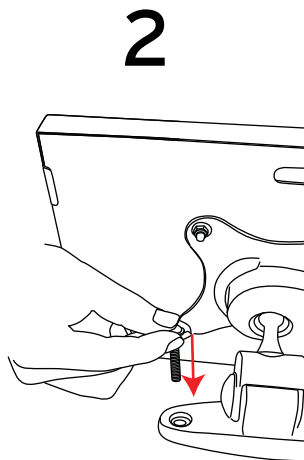
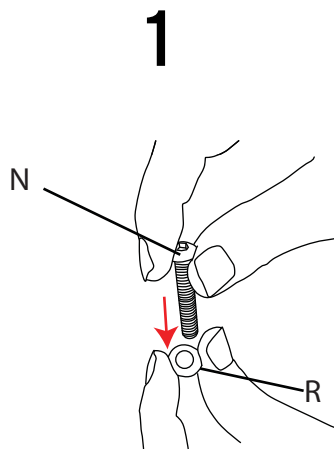
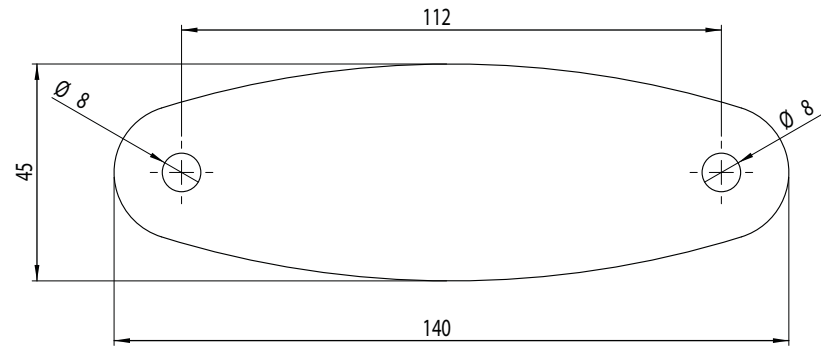


4mm Allen
Key

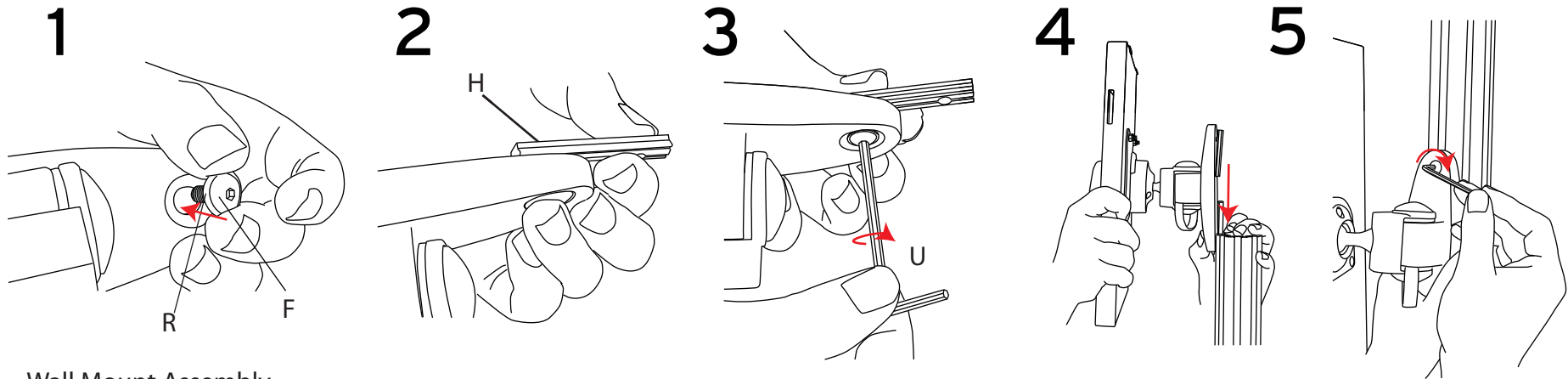




Desktop Mount Hole Dimensions



Linear Post Mount Assembly



Wall Mount Assembly

