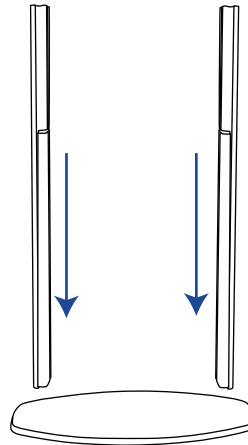
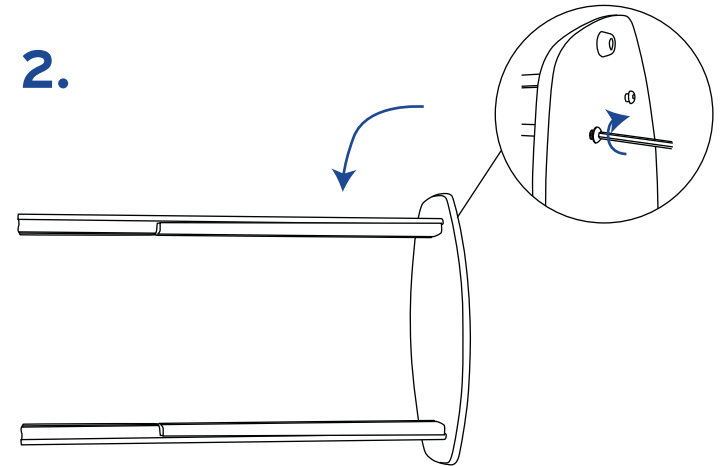




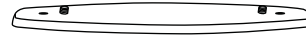
1.



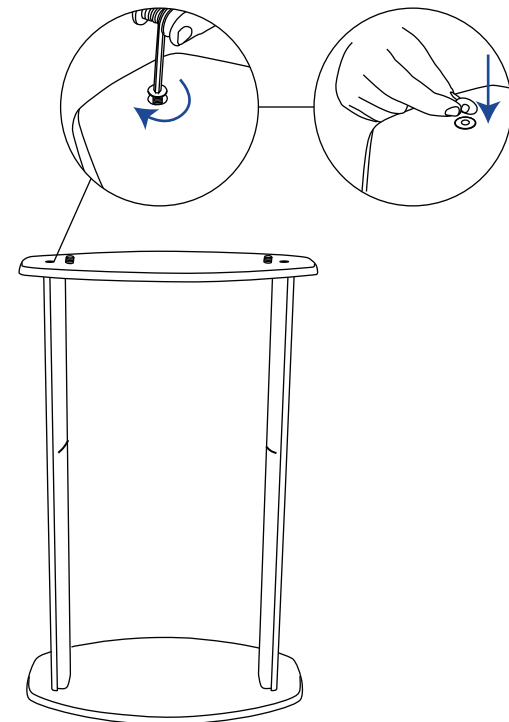
2.



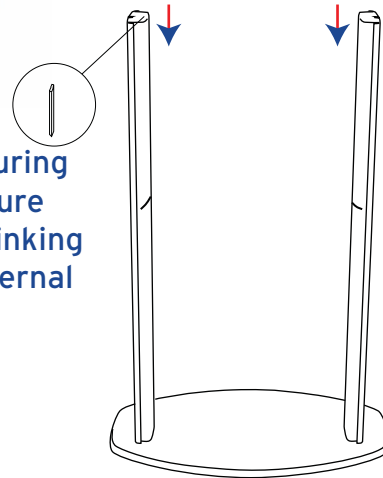
3.



4.



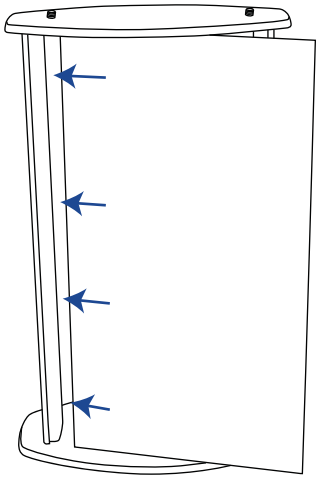
Before securing top make sure to slide in linking bars for internal shelf



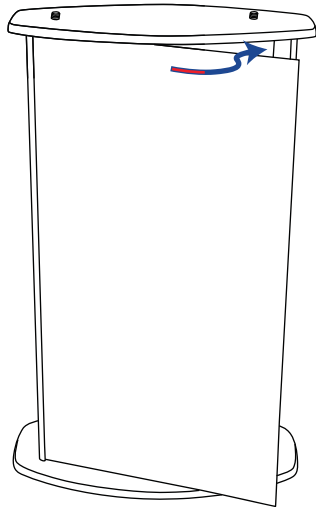
Hardware Dimension(mm)
640(w) x 1015(h) x 325(d)

Weight(kg)
6.8

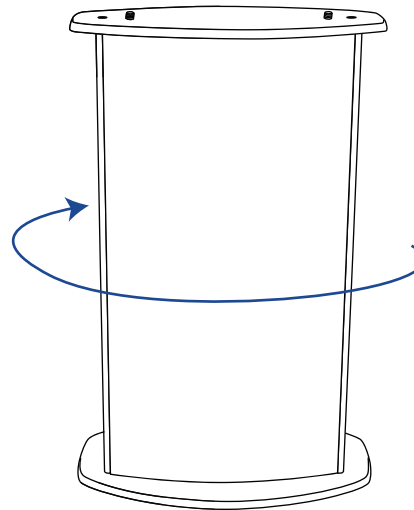
5.



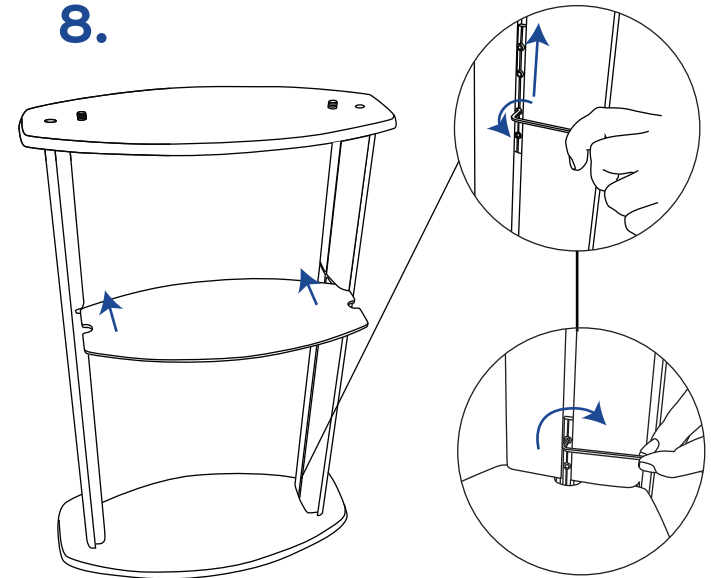
6.



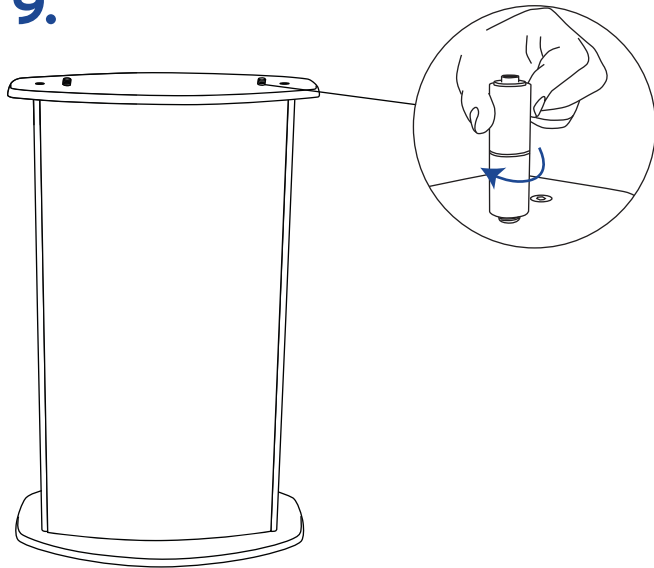
7.



8.



9.



10.

