

Exhibition Lectern is a stylish presenter unit from MDF with high quality finish thermoformed laminated tops.

features & benefits

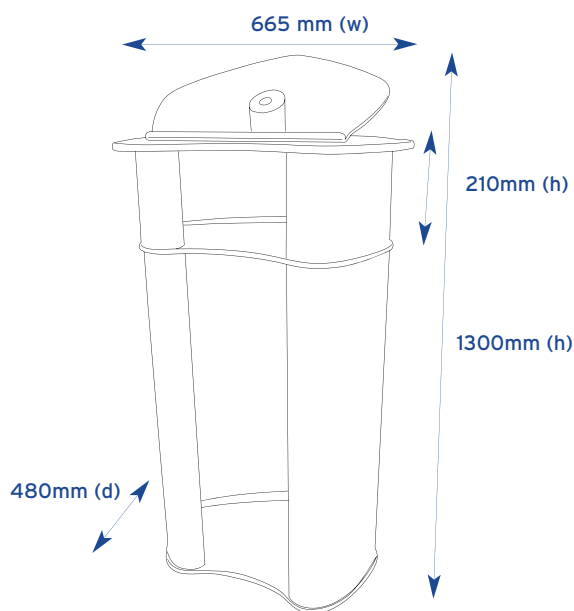
- Constructed from composite materials and flexible MDF tambour
- Flat packed, easy to transport and quick to assemble
- Allen keys supplied
- Tops are available in Birch, Black, Silver or White thermoformed finishes
- Choice of 12 Luxury Foam Backed Loop Nylon fabric wrap colours
- Acrylic angled top shelf
- Internal shelf on the Pro unit only
- Bags included



Pro unit includes shelf



Standard unit (no shelf)



hardware specifications

Overall size (h) x (w) x (d):
1300mm x 665mm x 480mm

Weight:
19kg (Standard and Pro)

Optional internal shelf size (w) x (d):
480mm x 340mm

Useable internal shelf height:
210mm

wrap specifications

Tambour Wrap dimensions (h) x (w):
(Standard) 1060mm x 1455mm
(Pro) 840mm x 1455mm (main wrap) / 210mm x 1455mm (upper wrap)

If applying a graphic to the wrap, an allowance should be made to its size to accommodate material type, thickness etc.

additional info

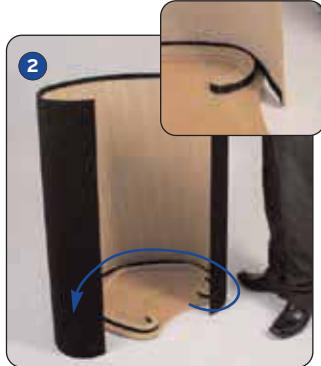
Carry bags are included



Lectern (Pro) assembly



Kit includes: Top, base, internal shelf, 2 x wrap, acrylic shelf, linear post, screws, allen key



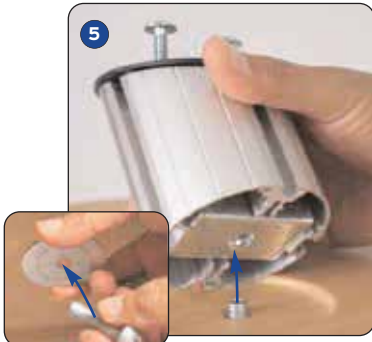
Attach the larger wrap around the base, following the mounted shape



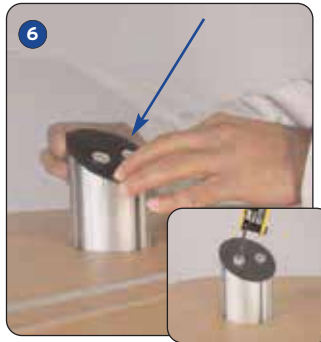
Lower the internal shelf into the top of the wrap and secure against hook and loop.



Attach the smaller wrap to the top of the shelf, following the shape of the mount.



Insert screw and washer through underside of top and into the Linear post.



Lower acrylic shelf onto post and secure into position with screws provided.



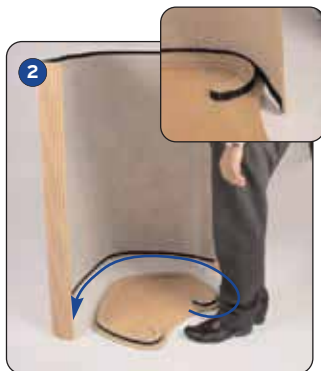
Attach top to small wrap, feeding it around the hook and loop mount, press securely.



Lectern assembly



Kit includes: Top, base, wrap, acrylic shelf, linear post, screws



Attach the wrap around the base, following the mounted shape



Lower the top into the top of the wrap and secure against hook and loop.



Insert screw and washer through underside of top and into the Linear post.



Lower acrylic shelf onto post and secure into position with screws and allen keys provided.

