

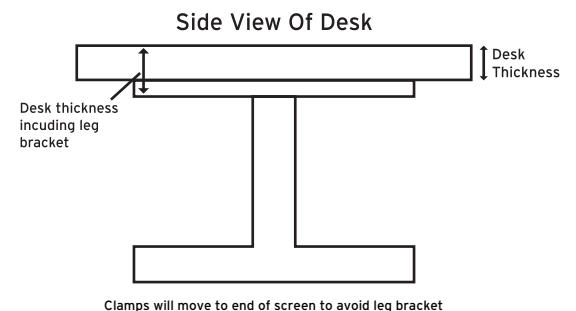
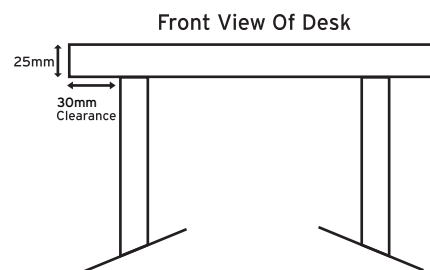
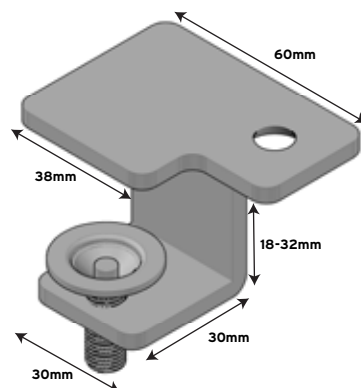
## How to Measure Your Desk for a Single Tool Rail Desk Screen (Premium Acoustic and Glazed Desk Screen Ranges)

To ensure that the desk screen you order fixes to your desk correctly it is important that you measure your desk accurately. This guide is for our single tool rail desk screens in the Premium Acoustic and Glazed Desk Screen Ranges.



The standard clamp we supply with our desk screens is a 'C' shaped clamp and adjusts to fit desks which are 18-32mm thick. This clamp needs a clearance of 30mm on top and underneath the desk.

The clamps for our single tool rail desk screens can be attached anywhere along the bottom of the screen so it is easy to avoid obstacles, such as leg brackets, as the clamp can be moved along the screen to a more suitable position.



However, if your desk is more than 32mm thick, or obstacles cannot be avoided by moving the clamps along the screen, then please contact us on 01733 511030 for other clamp options. Please note, there may be a charge for substitute clamps.