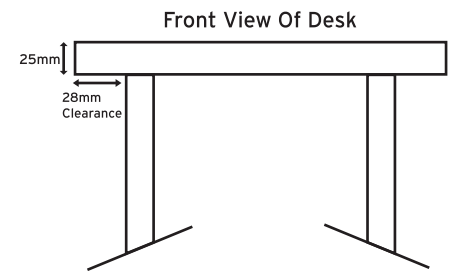
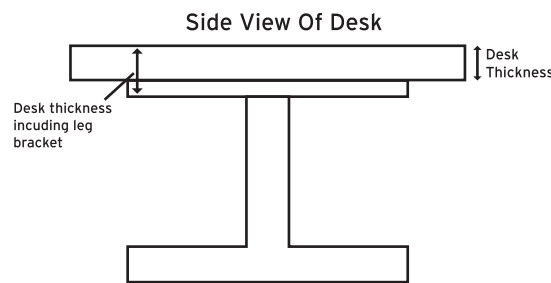
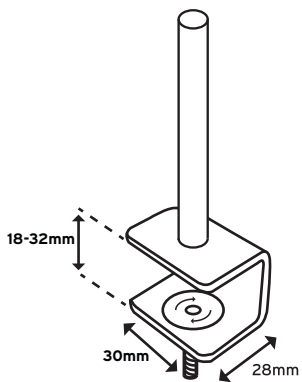


How to Measure Your Desk for a Desk Screen (Speedy, Standard, Standard Acoustic and Spectrum Fabric Ranges)

To ensure that the desk screen you order fixes to your desk correctly it is important that you measure your desk correctly. This guide is for our of Speedy, Standard, Standard Acoustic and Spectrum Fabric Desk Screen Ranges. For other ranges please see the relevant guide.

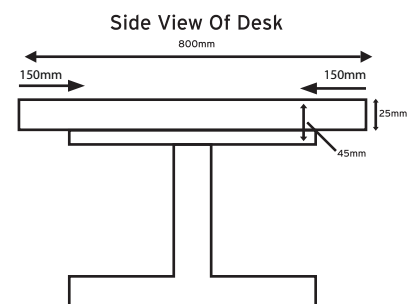
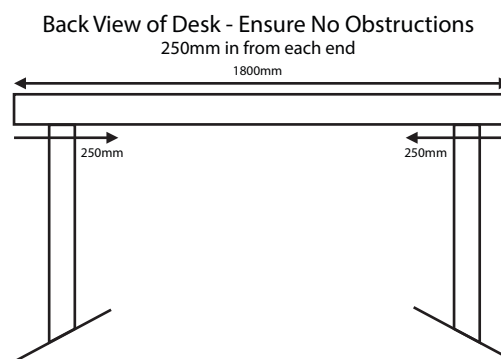
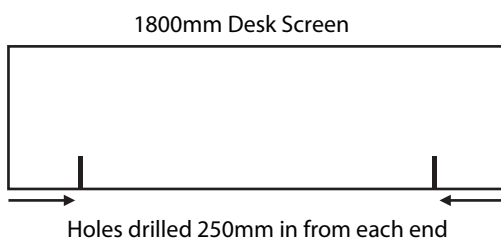
The standard clamp we supply with our desk screens is a 'C' shaped clamp and adjusts to fit desks that are 18-32mm thick. This clamp also needs a clearance of 28mm on top and underneath the desk. If there are any obstructions under the desk where the clamp will fit, such as leg brackets, then you need to include these in the measurement - see diagrams below:



If your desk is more than 32mm thick please contact us on 01733 511030 for other clamp options. Please note, there may be a charge for substitute clamps.

We drill the holes in the desk screen for the clamps at a certain distance in from each end. Please ensure that you measure this distance in from the edge of your desk and ensure there are no upright obstacles in the way, e.g desk legs, brackets etc.

On desk screens that are 1000mm wide and below the clamp holes are drilled 150mm in from each end. On desk screens that are over 1000mm wide, the clamp holes are drilled 250mm in from each end.



For Above Example:

There is an obstruction of a leg bracket 150mm in from the end of the desk. Therefore need to include this when measuring desk thickness. You will need a clamp to fit 45mm thick desk.

