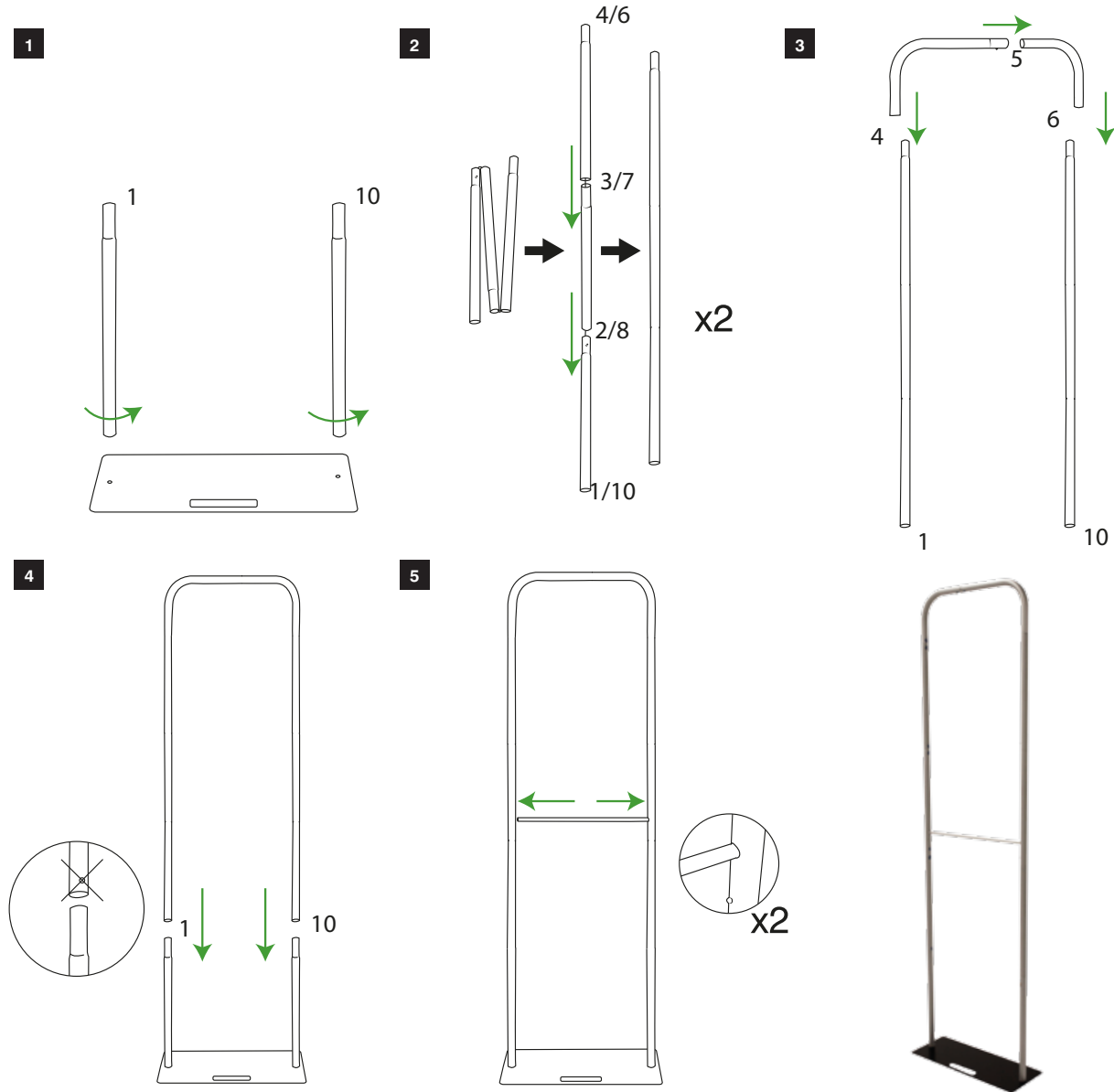
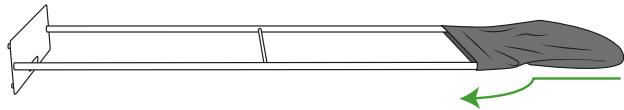


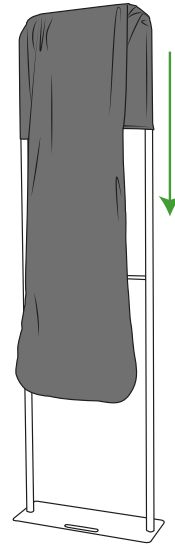
Important note: These instructions are based on assembling the 600mm version. Other size kits will have slightly different configurations of poles but can still be assembled in the same way.



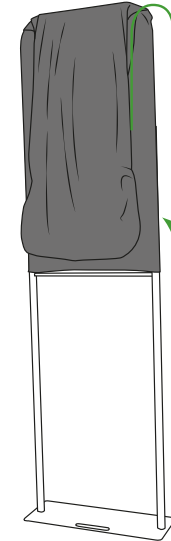
1



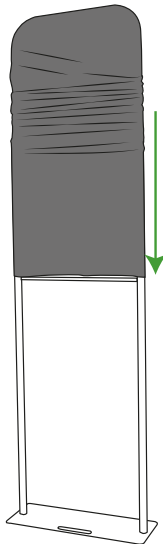
2



3



4



5

