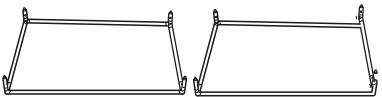
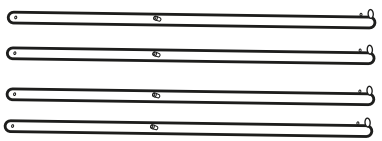
 **PARTS** (NOT TO SCALE)

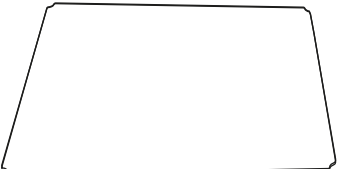
Frames (x2)



Vertical Tubes (x4)

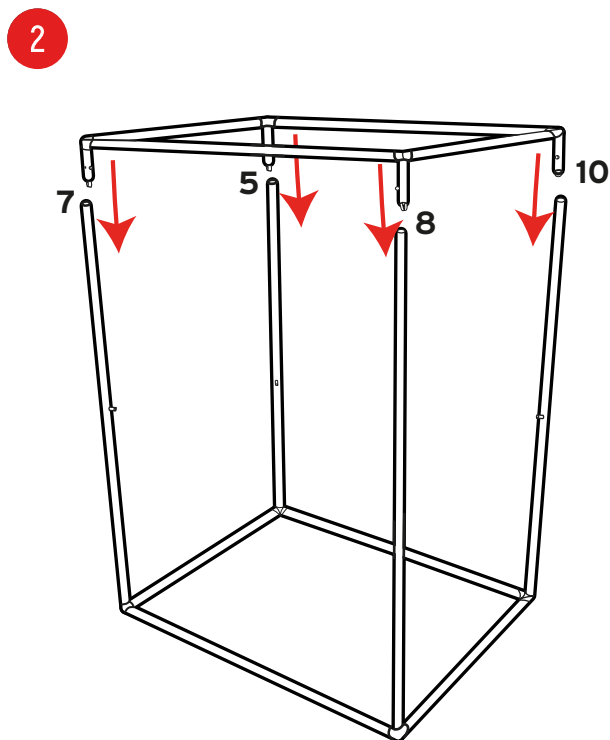
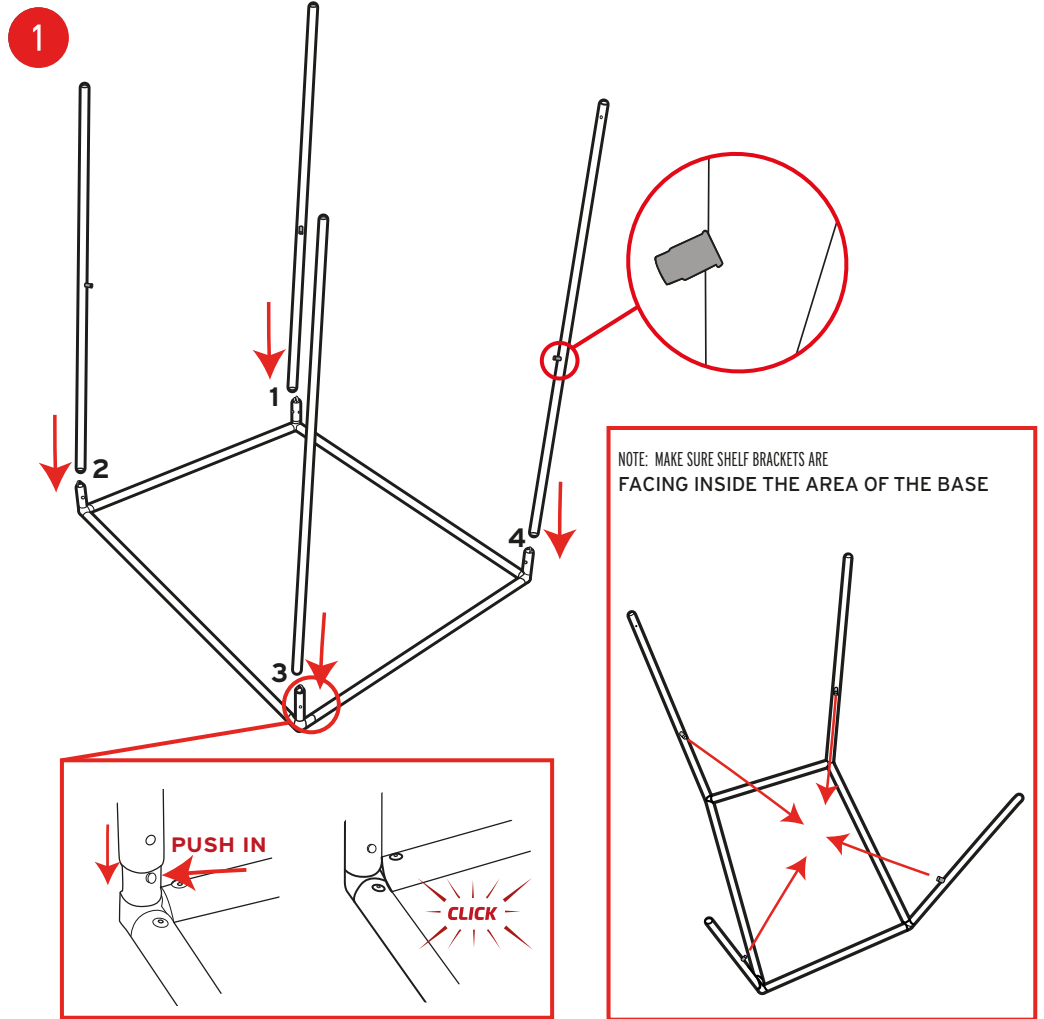
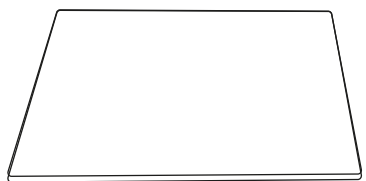


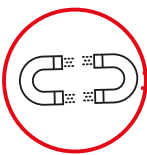
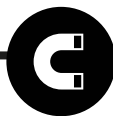
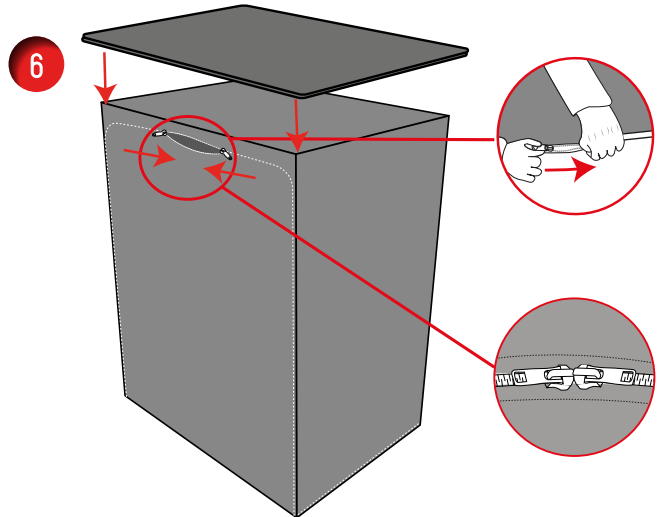
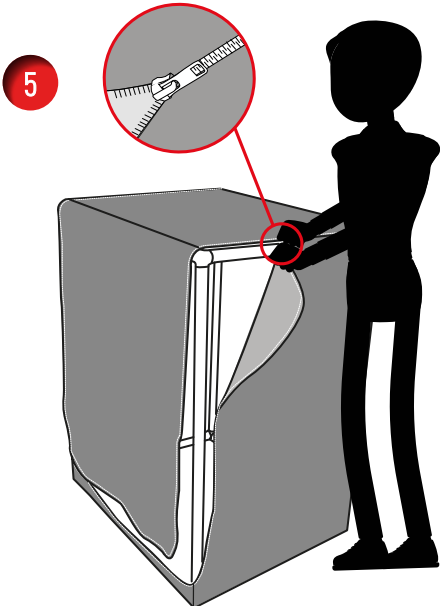
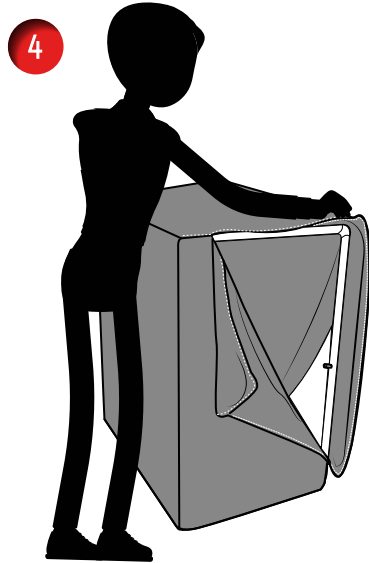
Shelf (x1)*



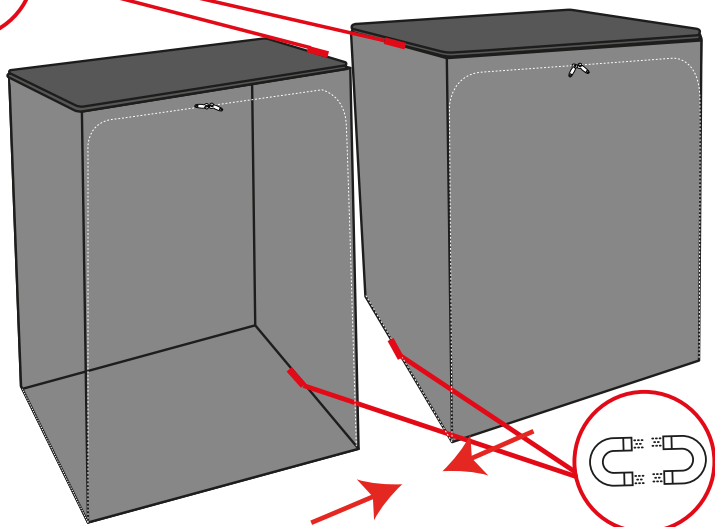
*Optional Extra

Table Top (x1)

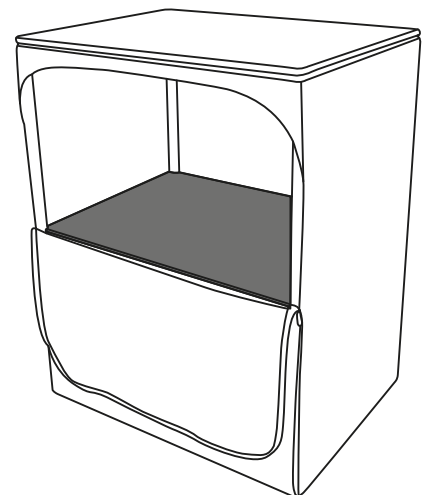




NOTE: THIS STEP IS FOR WHEN 2 COUNTERS ARE IN USE



SHELF POSITION



*shelf optional extra