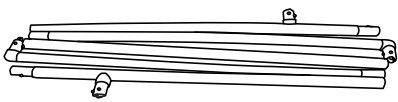
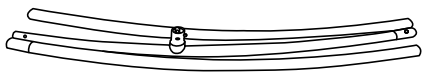
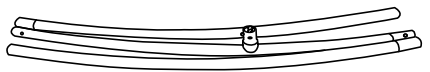
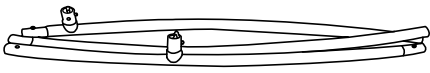
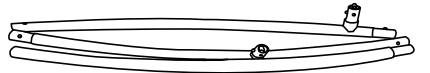




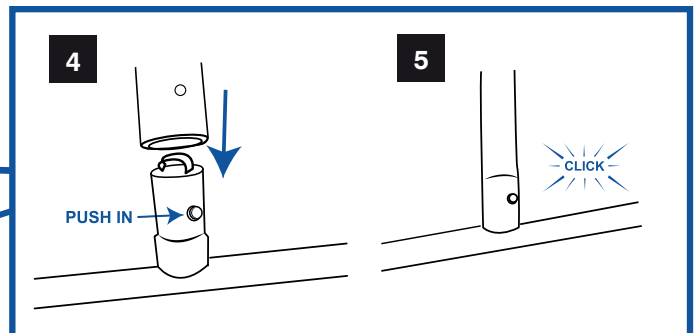
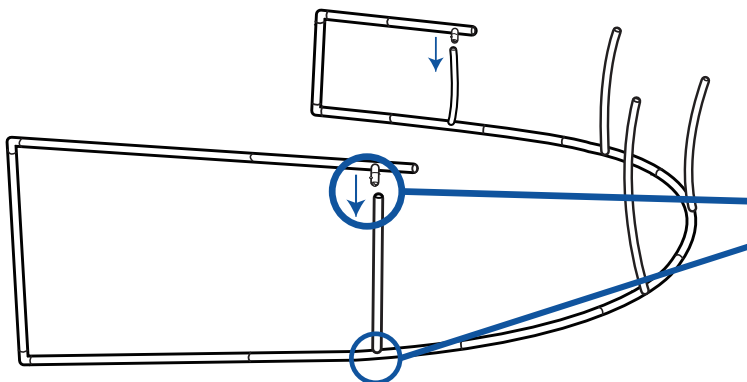
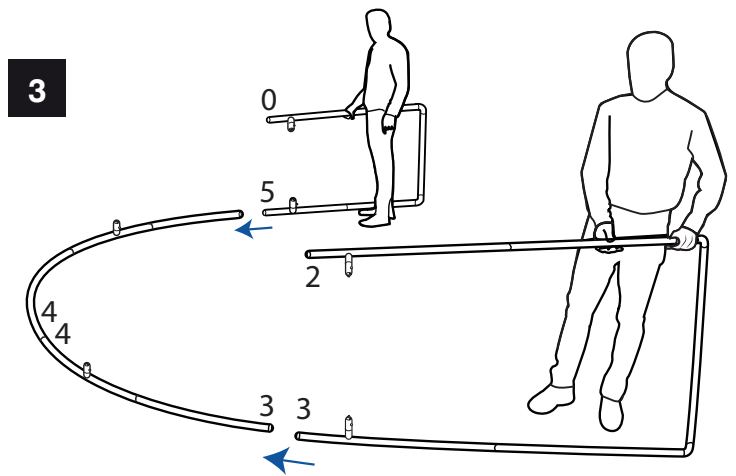
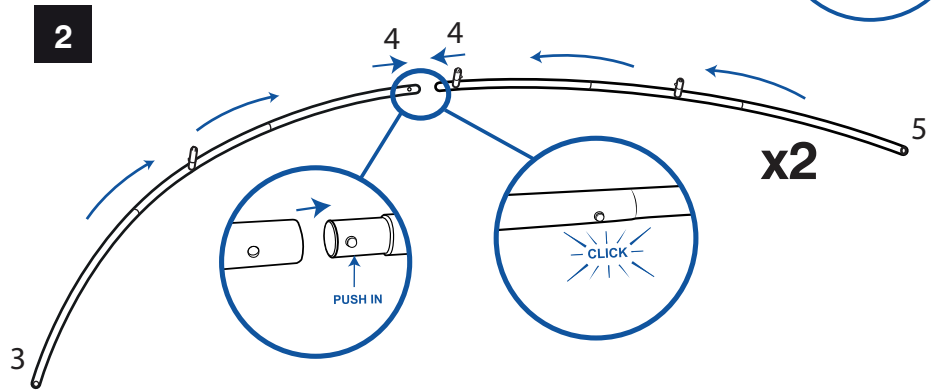
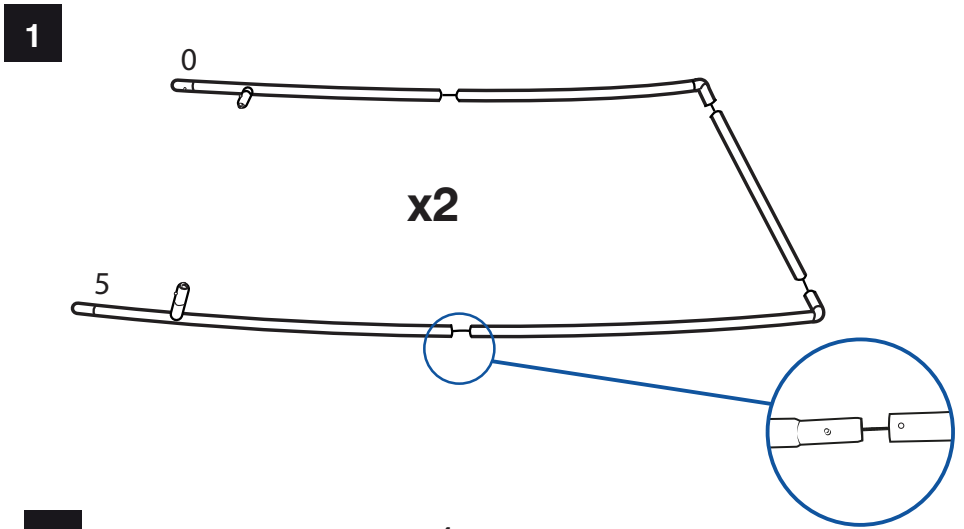
**PARTS (NOT TO SCALE)**



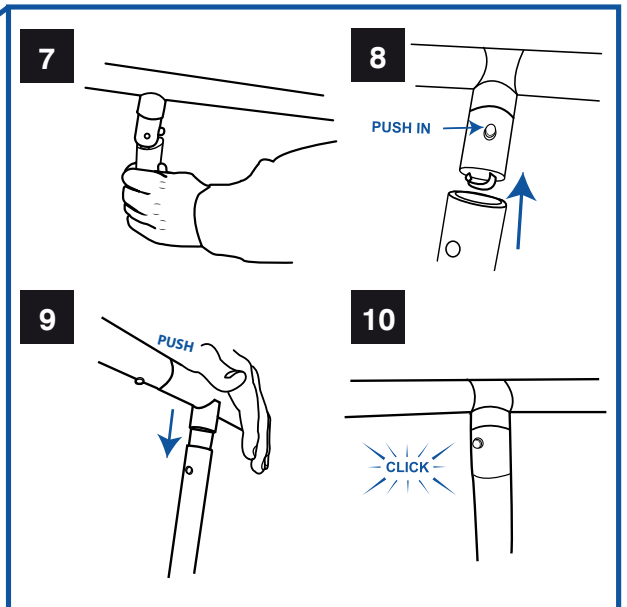
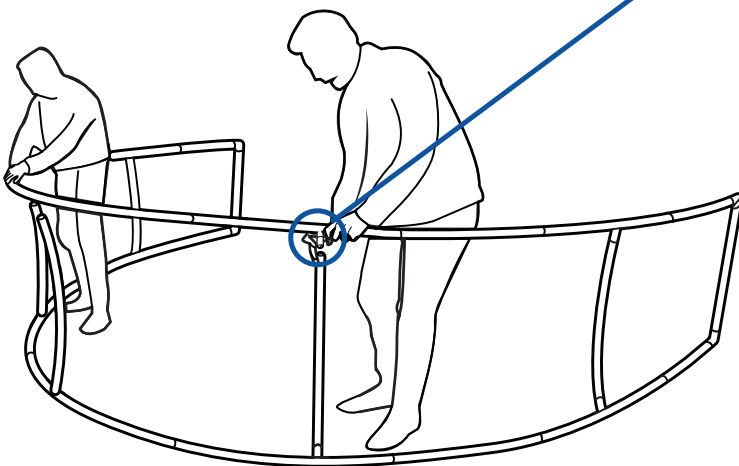
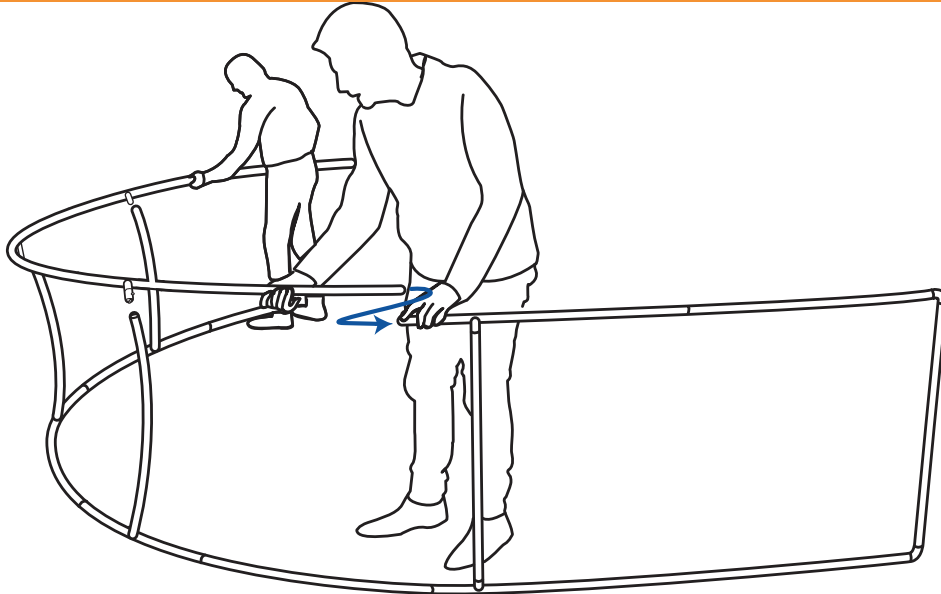
x2



x5

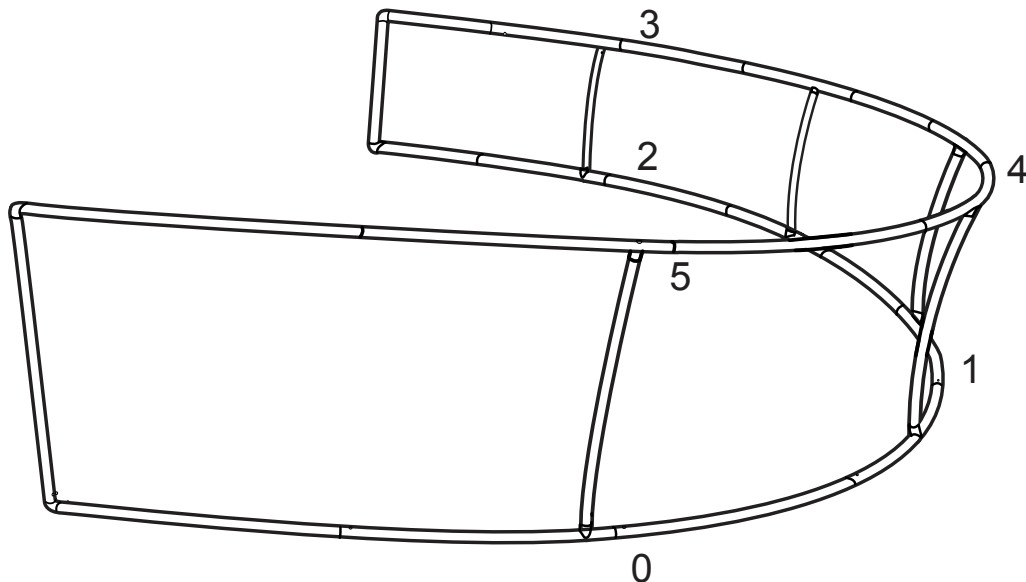


6



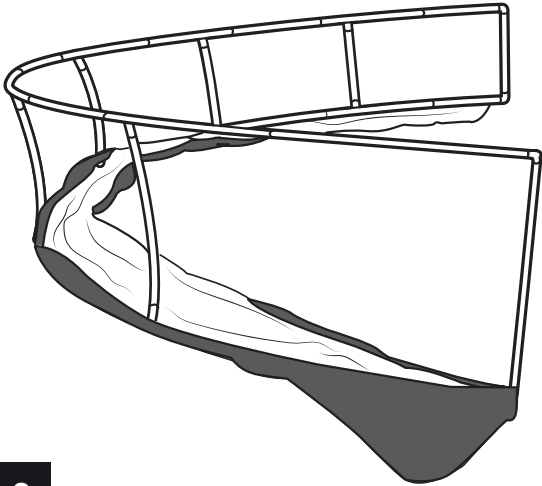
**NOTE: ALIGN POLES WITH NODES**

11

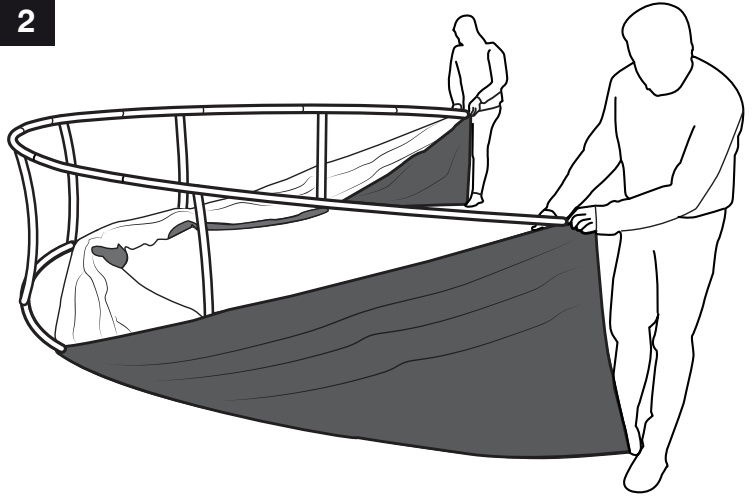




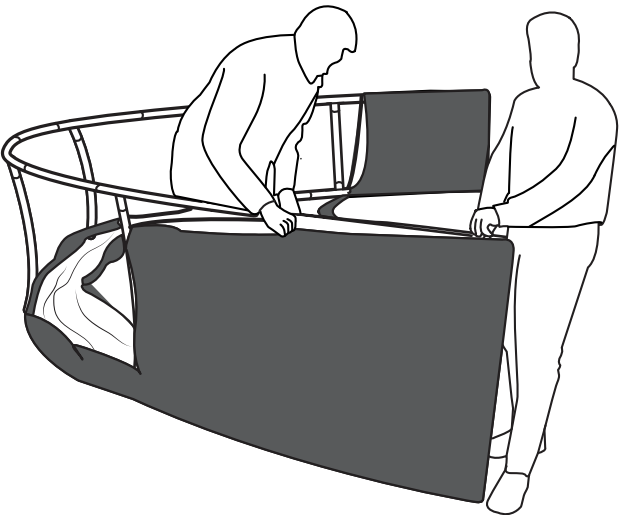
1



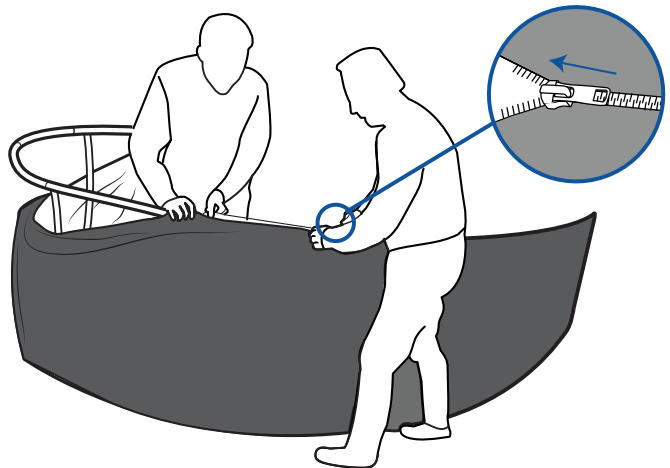
2



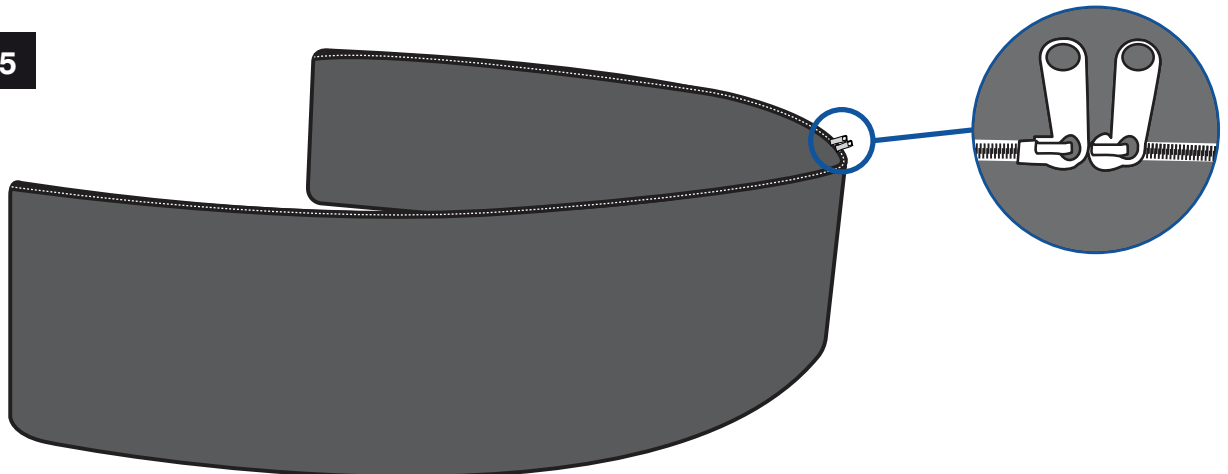
3



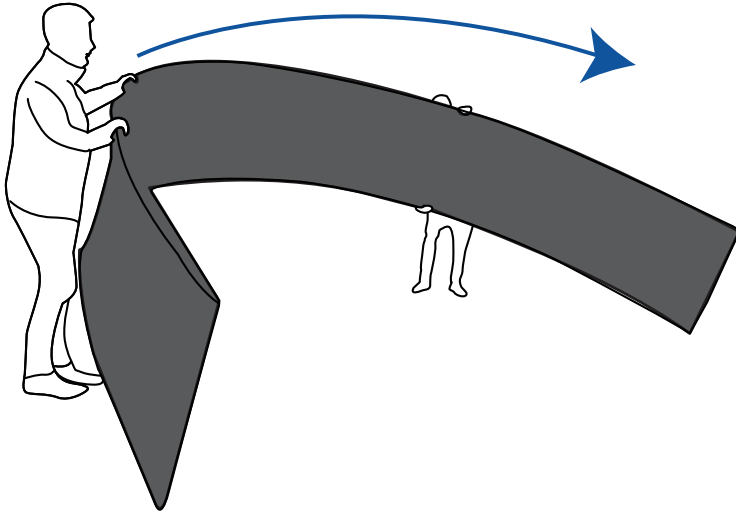
4



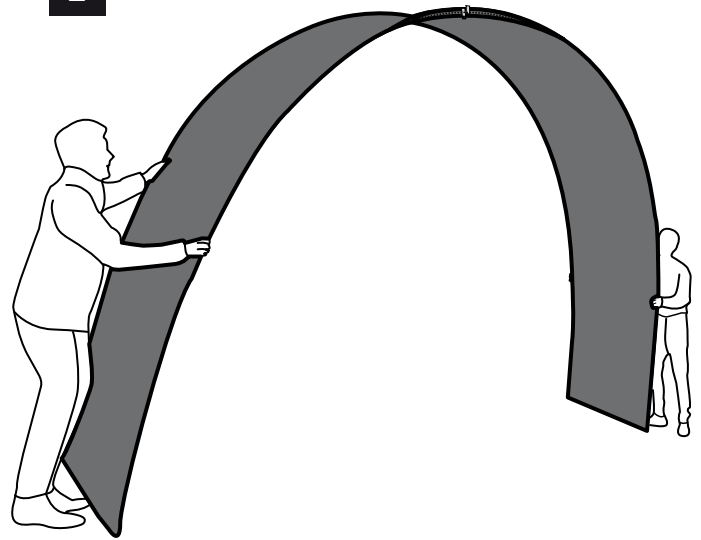
5



1



2



3

