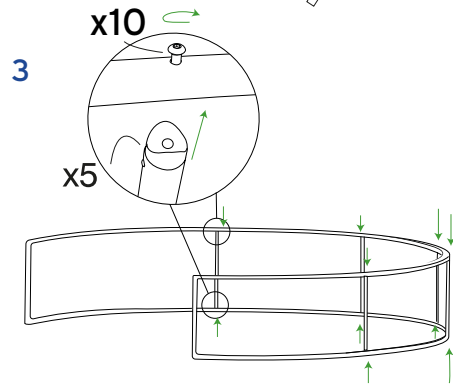
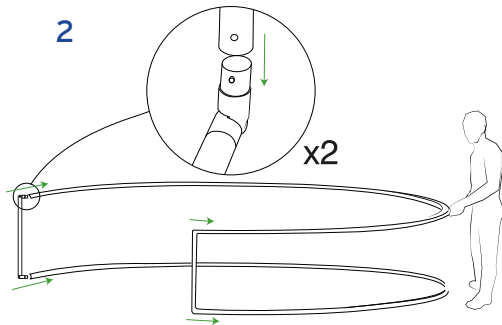
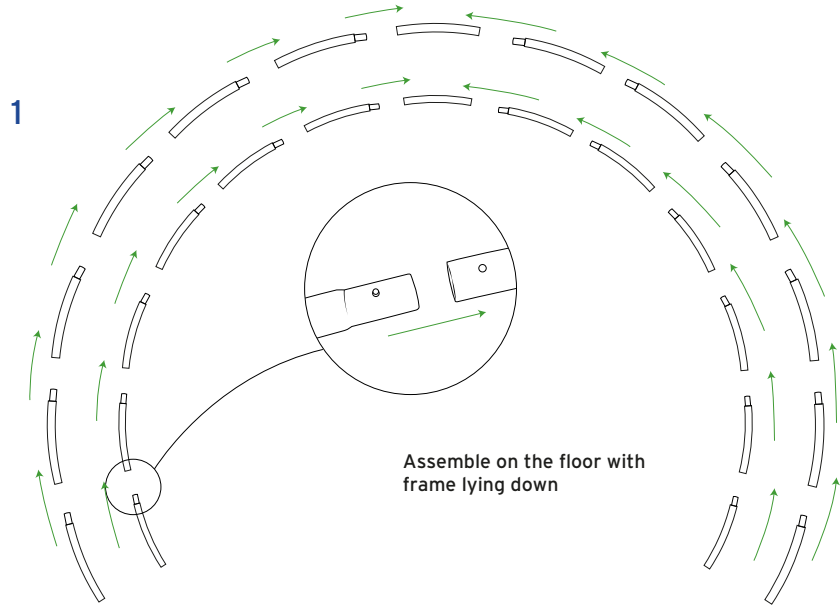
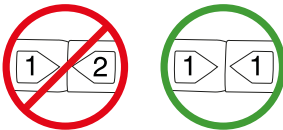
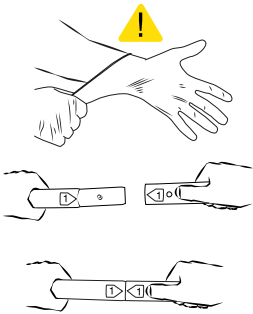


Each arch (Middle arch has double connecting nodes and joining braces)

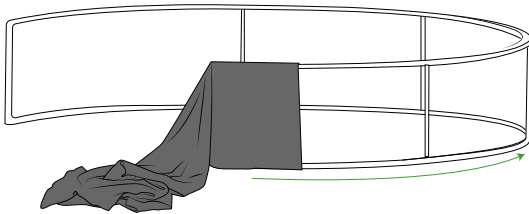
- x1
- x1
- x20
- x4
- x2
- x5
- x10



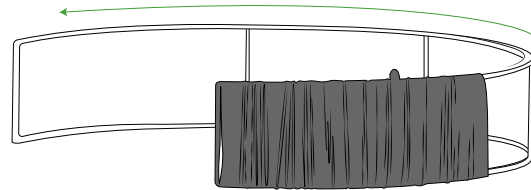
## Attaching Graphic

Repeat steps 1-4 for all arches

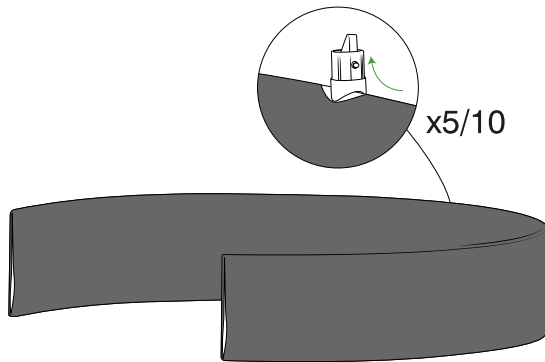
1



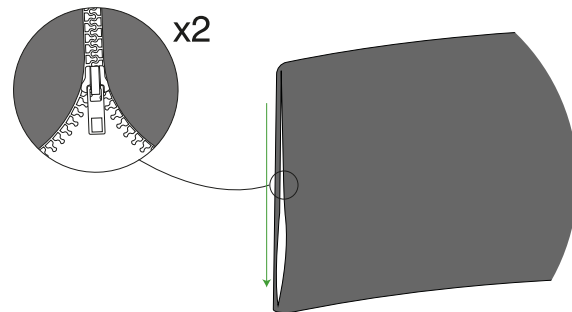
2



3

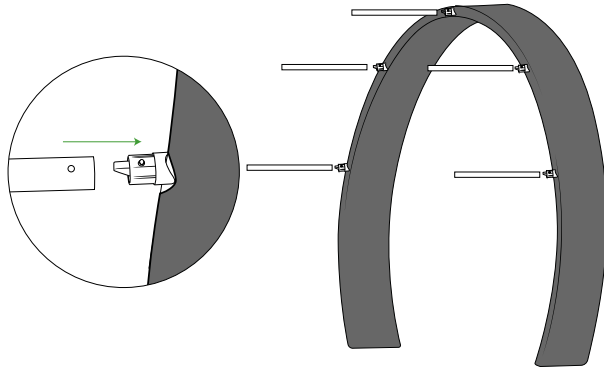


4

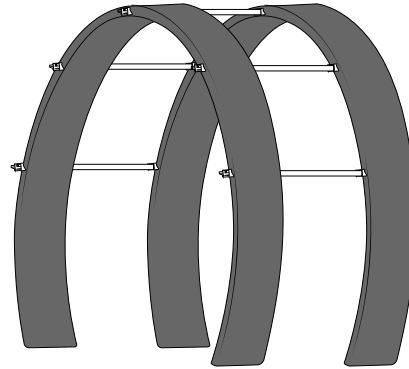


## Joining Arches

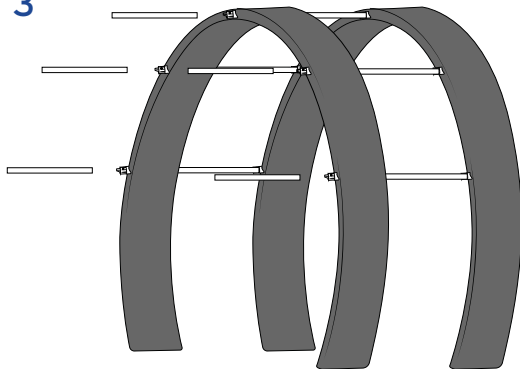
1



2



3



4

