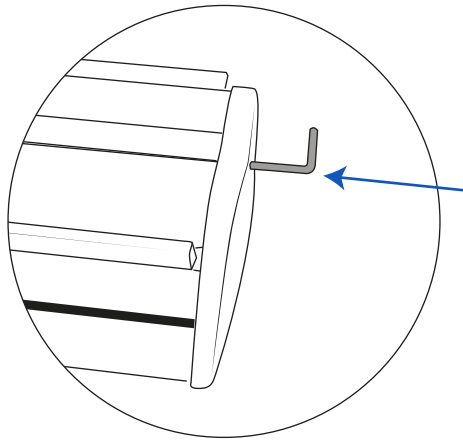
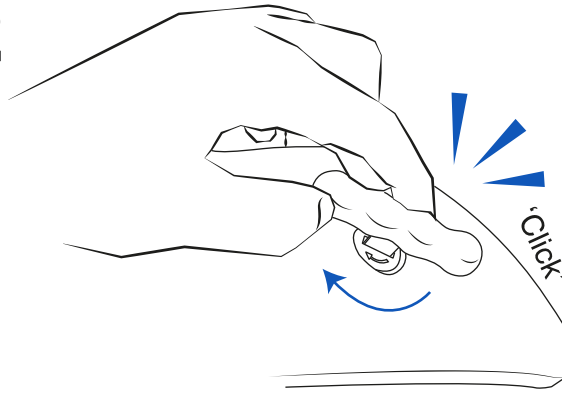


## Tensioning Graphic

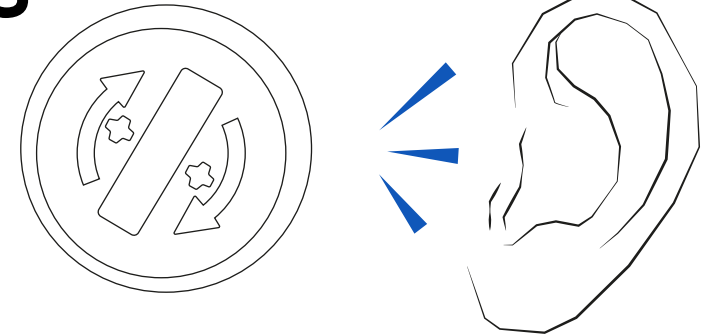
**1**



**2**

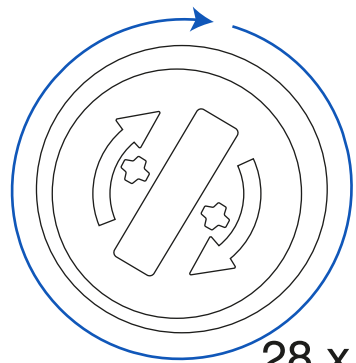


**3**



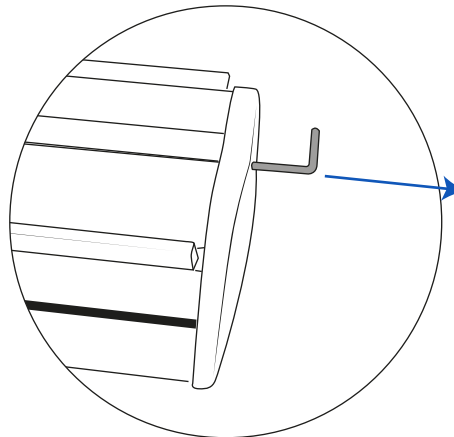
**'Clicks' x 6 = 360°  
= 1 full turn**

**4**



**28 x 360°  
fully tensioned  
from slack.**

**5**



**6**

