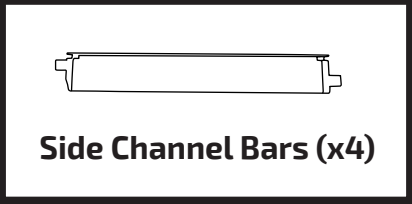
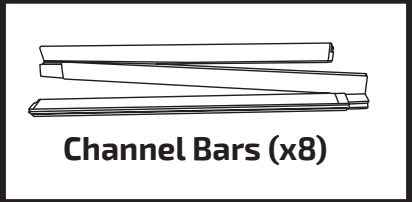
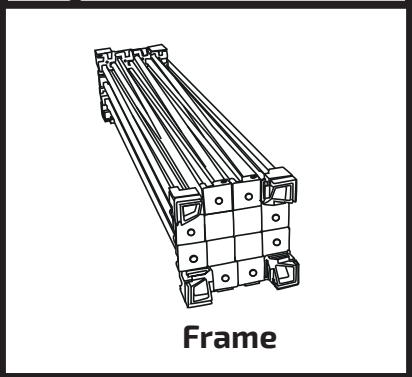




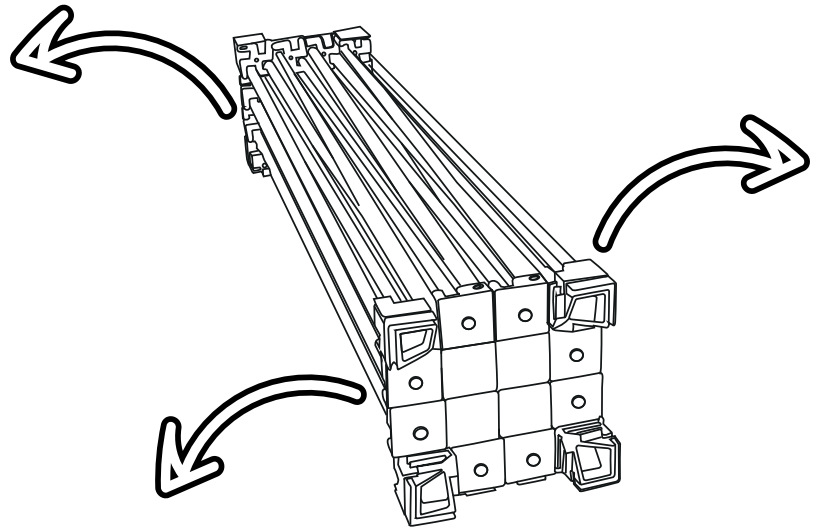
 **PARTS (NOT TO SCALE)**



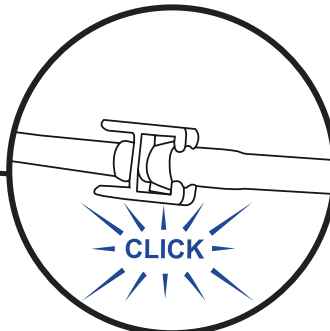
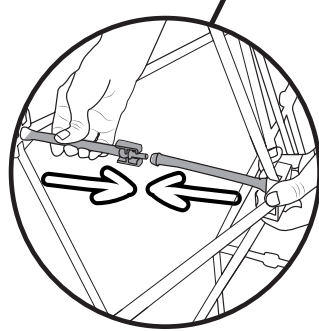
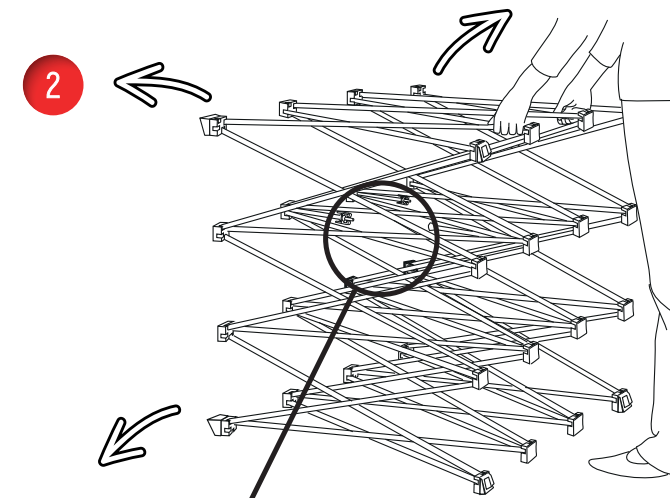
 **FOR ATTENTION**

INSTRUCTIONS BASED ON 3X3 FRAME

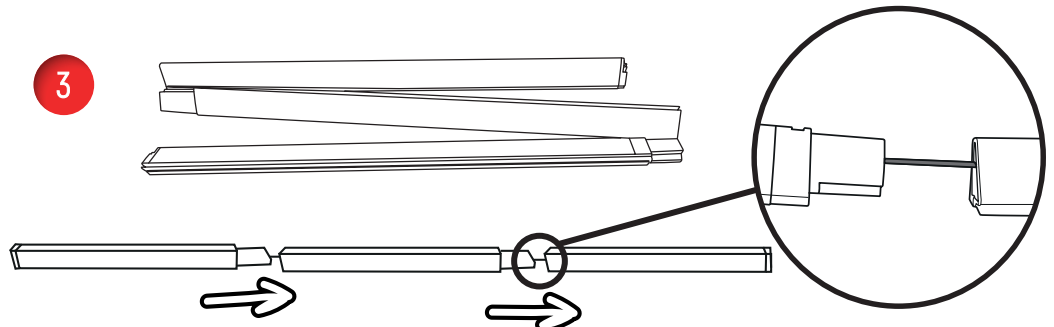
1

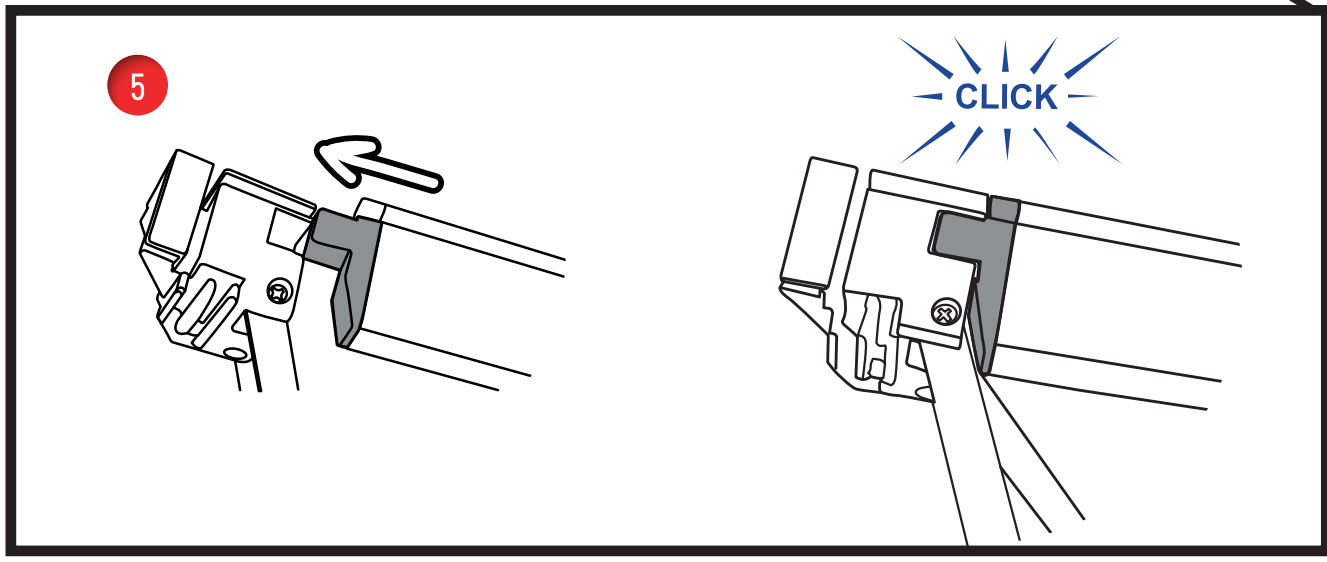
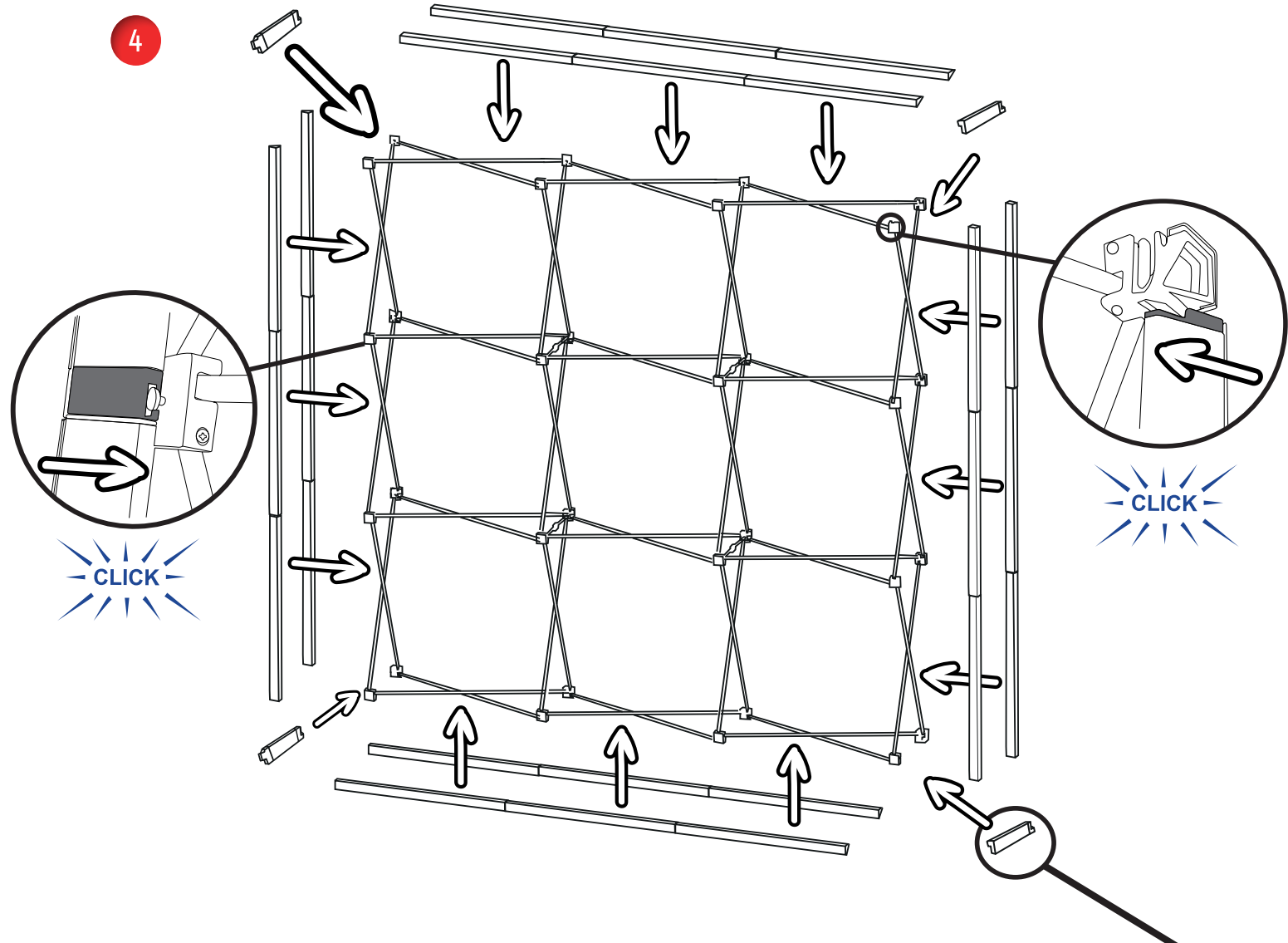


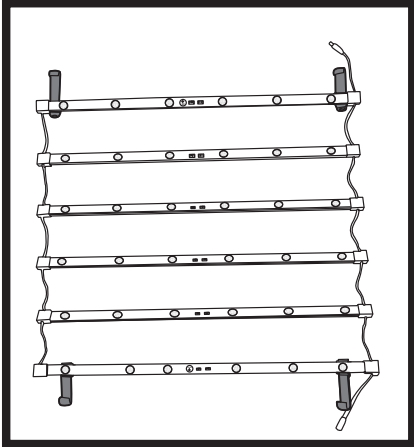
2



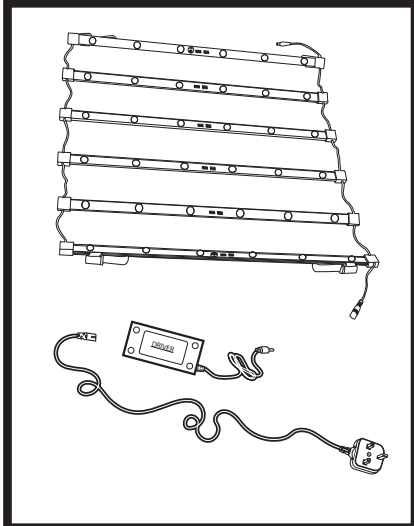
3







PARTS (NOT TO SCALE)

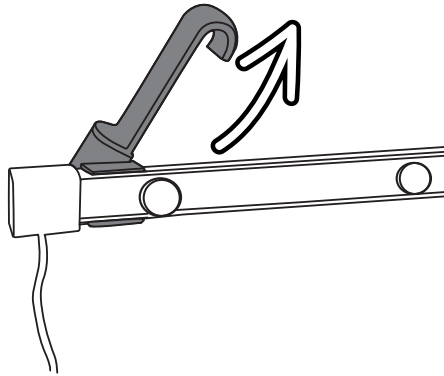


FOR ATTENTION

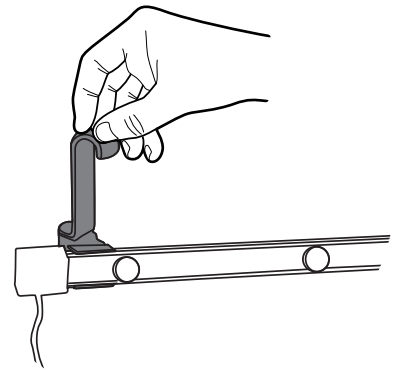
ENSURE ALL SOCKETS AND CONNECTORS ARE CORRECTLY FITTED BEFORE SUPPLYING POWER. MISUSE COULD RESULT IN DAMAGE TO THE LED LIGHTS

1

TWIST

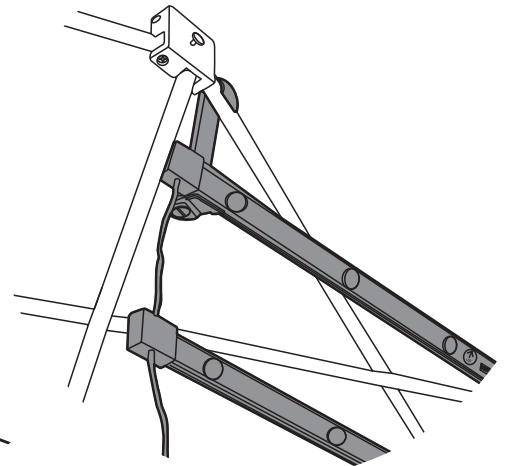
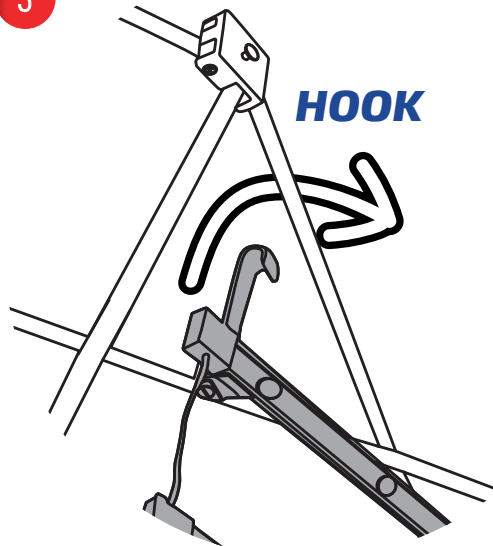


2



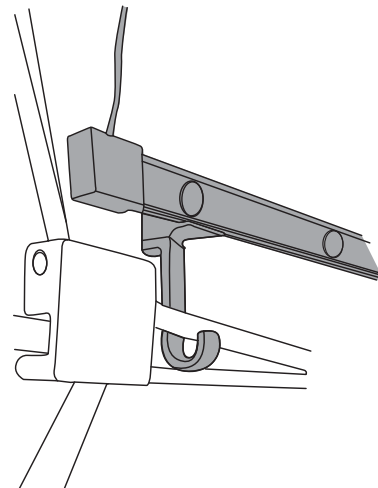
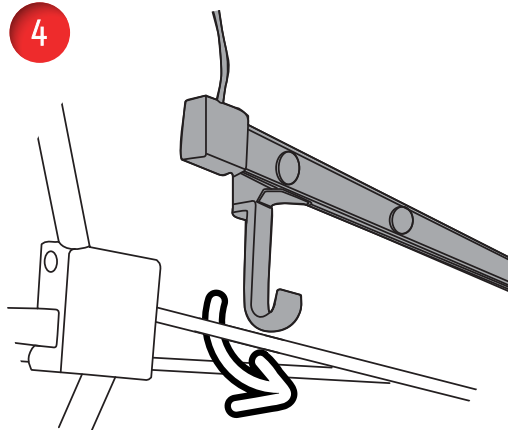
3

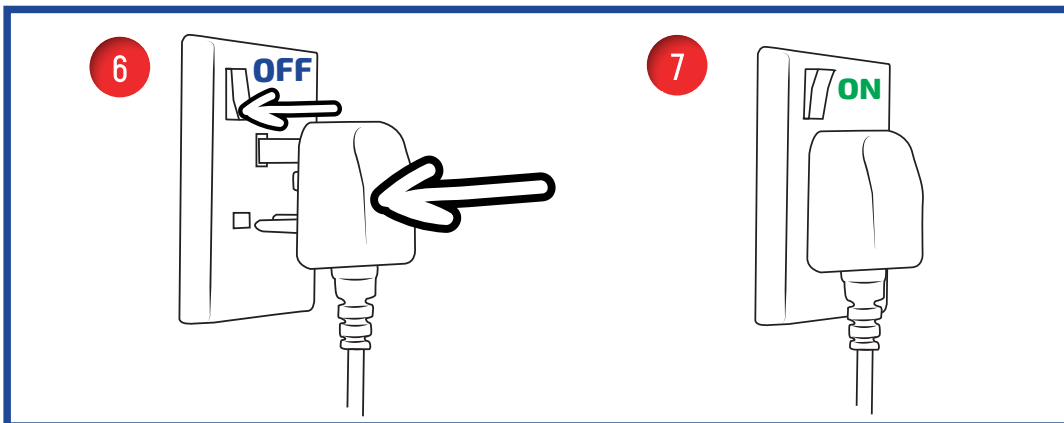
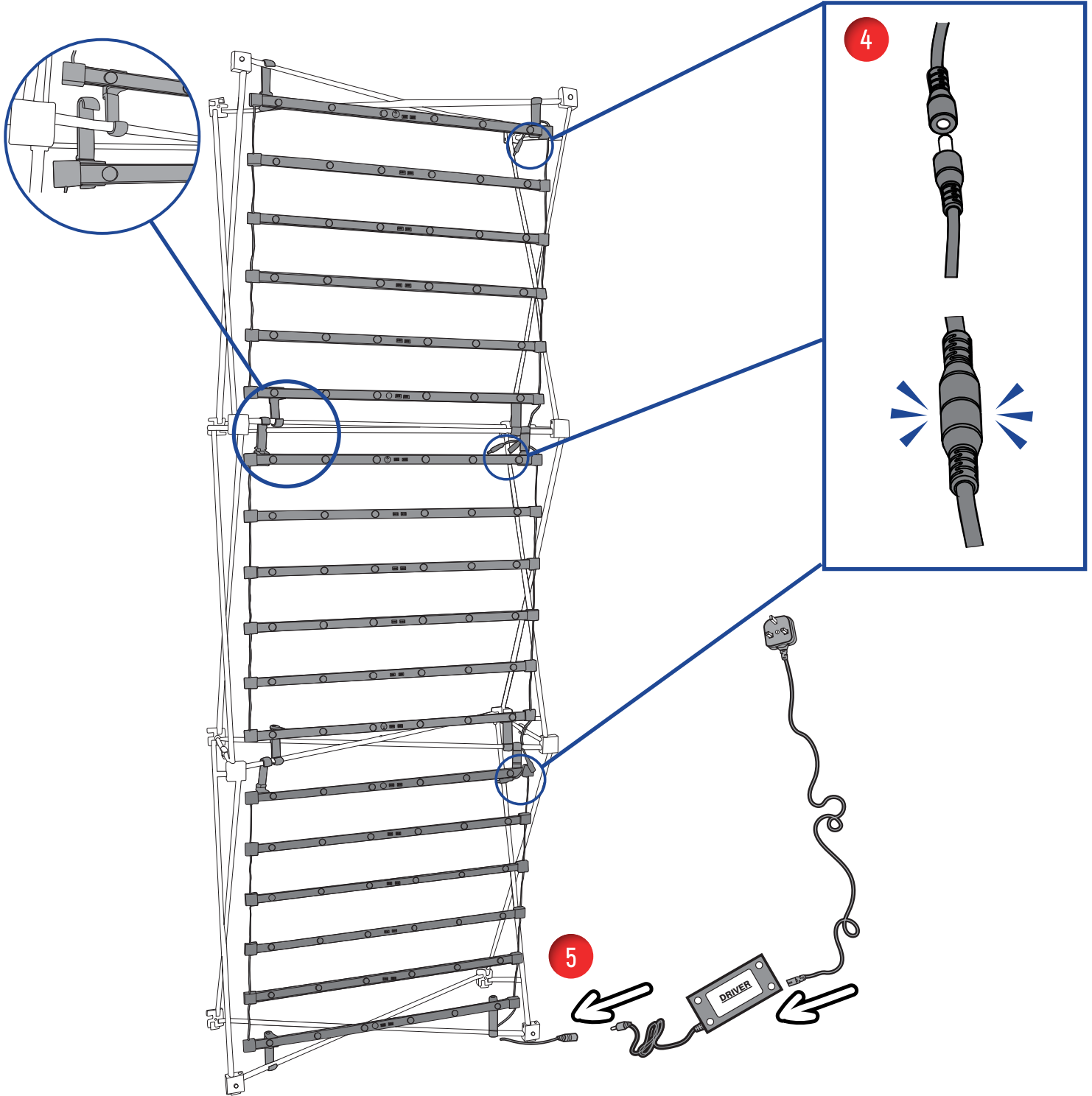
HOOK



4

HOOK

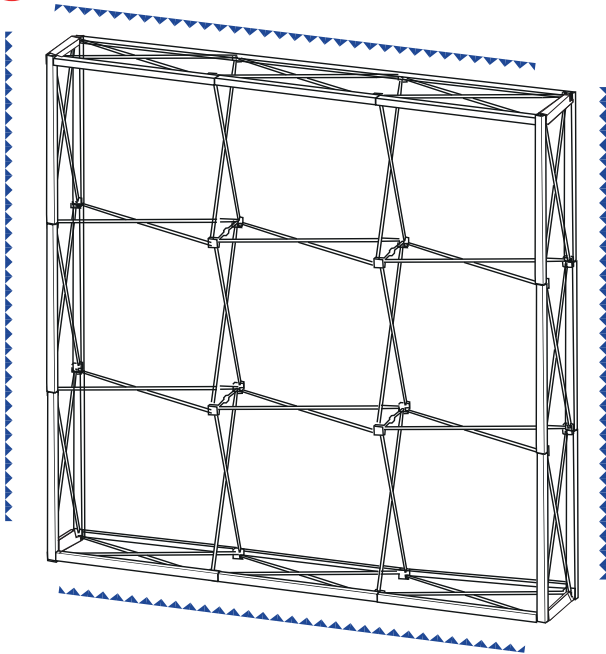




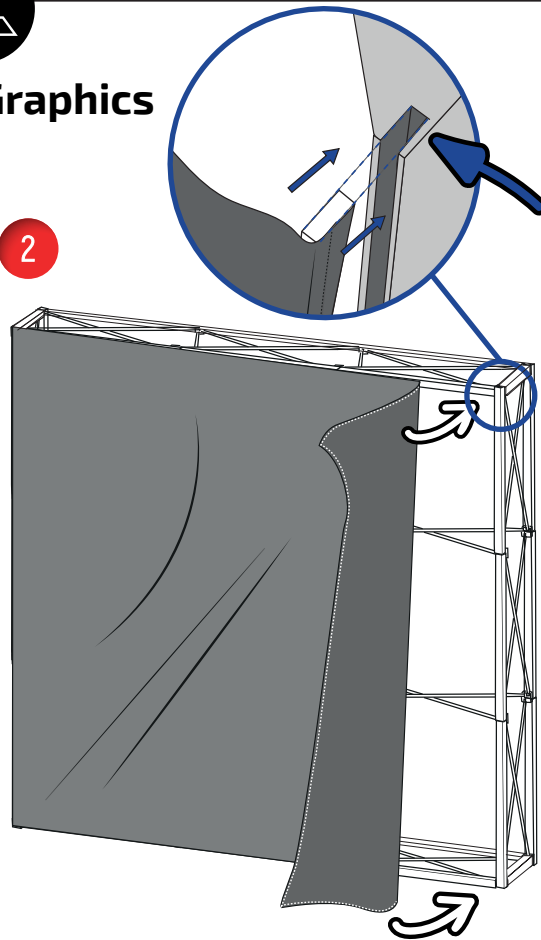


Attaching Graphics

1



2



NOTE: Locate the Silicon Edge Gasket into the appropriate channel

3

