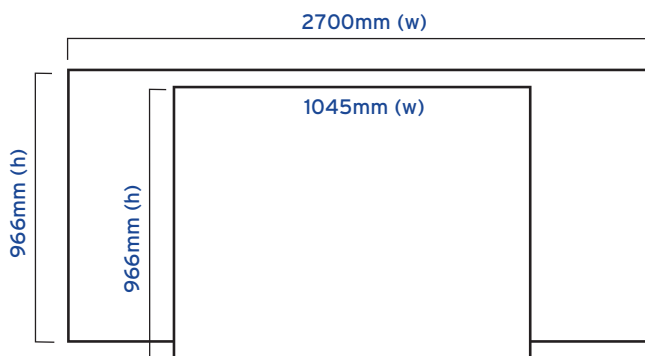




Stylish and practical, the Curved Workstation physique unit is an ideal workstation for all exhibitions and displays.

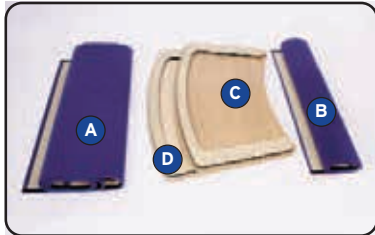
### features & benefits

- Flat pack furniture constructed from composite materials and flexible MDF tambour
- Easy to transport and quick to assemble
- No tools required
- Internal storage area
- Load bearing up to 75kgs approx
- Choice of Luxury Foam Backed Loop Nylon fabric wrap colours
- Tops available in Birch, Black, Silver or White thermoformed finishes.

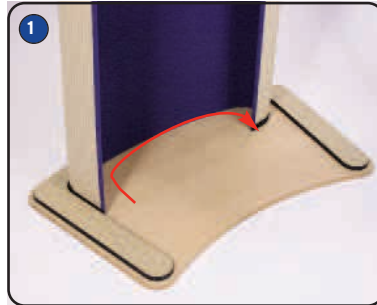


full wrap dimensions approx.

hardware specifications	wrap specifications
<p>Hardware Dimensions (mm): 1000 (h) x 985 (w) x 585 (d) approx</p> <p>Fabric Panel Dimensions (mm): 966 (h) x 750 (w) approx</p> <p>Optional Rear Panel Dimensions (mm): 966 (h) x 635 (w) approx</p> <p>Weight: 17kg approx</p>	<p>Full Wrap Dimensions (mm): 966 (h) x 2700 (w) and 966 (h) x 1045 (w) mm approx</p> <p>Column Wrap Dimensions (mm): 966 (h) x 1115 (w) and</p> <p>If applying a graphic to the wrap, an allowance should be made to its size to accommodate material type, thickness etc.</p>



Kit includes: Outer wrap (A), inner wrap (B), top (C) and base (D)



1 Place the base (D) on the floor with the raised shape face up, and wrap the inner wrap (B) on the inside of the shape.



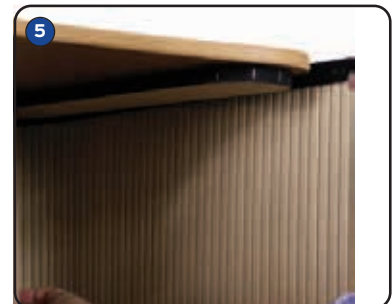
2 Take the outer wrap (A) and begin to wrap around the remaining section of the raised shape



3 Ensure that the fit is secure against the hook fastener strip. Leave the front open to add the top.



4 Slot the top in between the two wraps.



5 You may need to loosen the wraps from the base to fit onto the top and then secure on to base again.



6 Once the 'C' shape on the underside of the top is wedged securely between the two wraps, carry on wrapping around the base.

