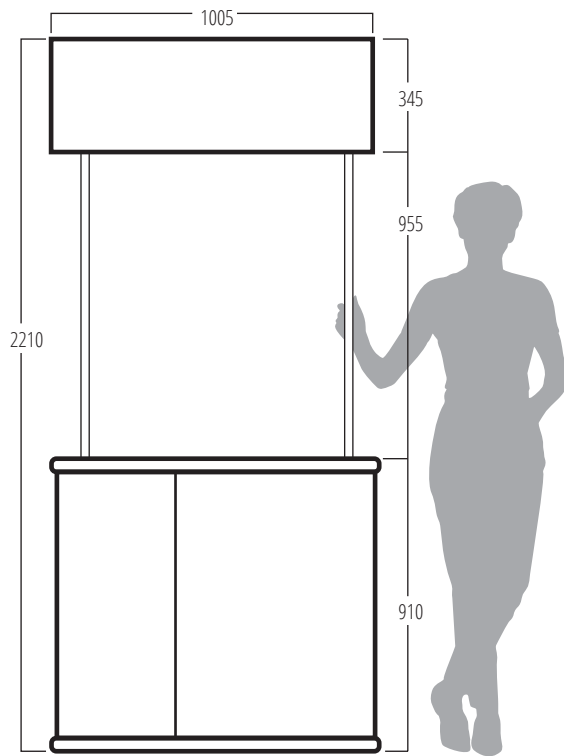
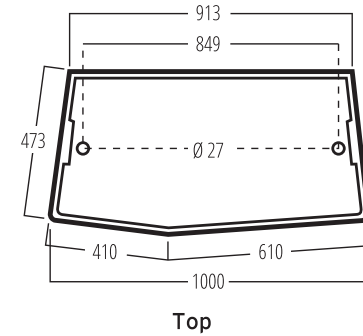


Weights in Kg

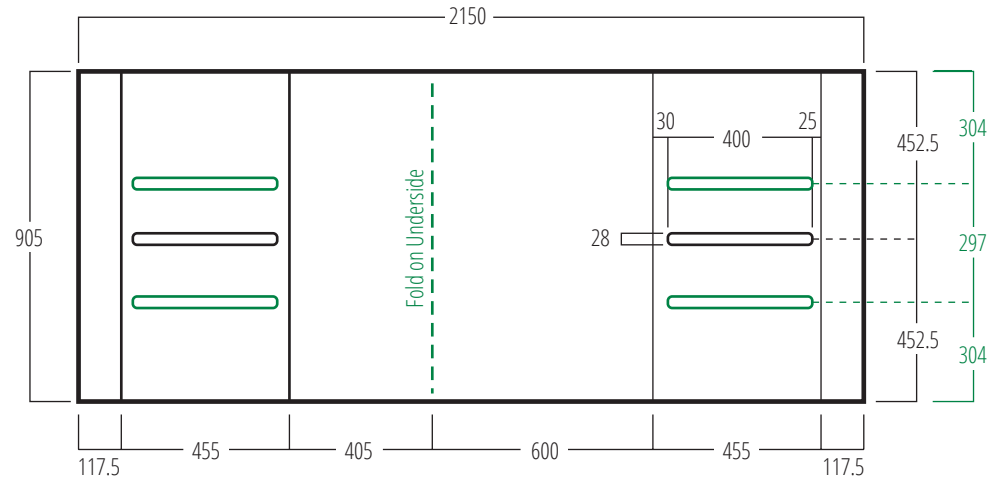
Flat Top	3.95
Top	1.55
Shelf	1.35
Action Strong shelf with support	3.85
Bottom	1.16
Body Panel.....	5.45
Tidy Bin (complete in shelf)	1.82
Pole Set (four pieces) C	2.12
Header	0.90
Round Tray	0.95
Bag	1.62

Packaging in Kg

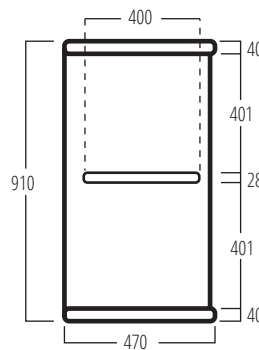
Individual reusable carton.....	1.8
External size: 1050(w) x 675(d) x 200mm(h)	
Round Tray carton.....	0.45
External size: 523 (w) x 523 (d) x 83mm(h)	



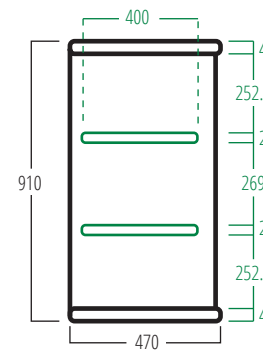
Unit and Header



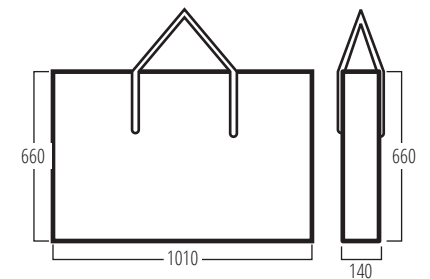
Graphic Size for One and Two Shelf Unit
Allow 37.5mm for top and bottom



Side - One Shelf



Side - Two Shelves



Carry Bag